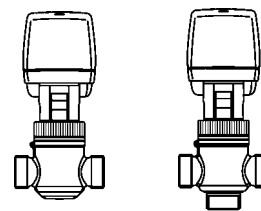


Screwed connection
PN 16
Brass

with electric actuators
MC15/24 • MC15/230



BR216MZ

BR316MZ

Features

- Suitable for the control of hot and chilled water (0...+120°C) in HEVAC systems and individual room or zone control of heating plants
- Microprocessor controlled
- Automatic self-calibration on start up

Technical data valve

Series	BR216MZ	BR316MZ
Form	Two-way	Three-way
Diameter nominal	DN 15 - DN 25	DN 15 - DN 25
Pressure rating	PN 16	PN 16
Characteristic	equal %-mod.	A→AB equal %-mod. B→AB linear
Stroke mm	6.5	6.5
Rangeability	≥ 30:1	≥ 30:1

Function: BR216MZ as two-way valve
BR316MZ as mixing valve

Connection type: Body with external thread acc. ISO 228/1

Leakage rate: EN 1349 – seat-leakage V L1

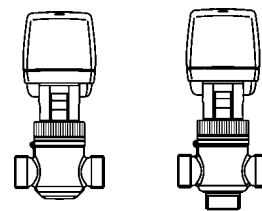
Body: Brass
Plug: Brass
Stem: CrNi-steel 1.4305
Stem sealing: O-rings EPDM

Valve variant and accessories

- Body with external thread, with brass union nuts and gaskets
- Technical silicon free version

Screwed connection
PN 16
Brass

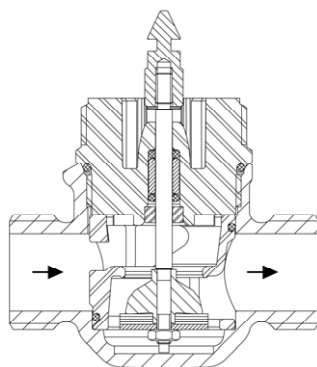
with electric actuators
MC15/24 • MC15/230



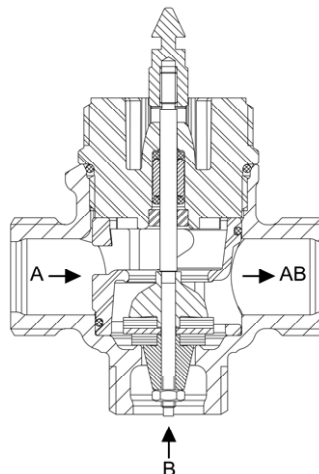
BR216MZ

BR316MZ

Drawing



BR216MZ



BR316MZ

Technical data actuator

Type		MC15/24	MC15/230
Actuating time	s/mm	20	20
Actuating thrust	kN	0.15	0.15
Stroke	mm	9	9
Power supply	VAC	24 ±10%	230 +6% -10%
Power supply ¹⁾	VDC	24 ±10%	
Frequency	Hz	50/60 ±5%	50/60 ±5%
Power consumption	VA	2.5	2.5
Input signal		3-point 0(2)...10 VDC	3-point

- Enclosure protection: IP 40
- Mains connection: 1.5 m flexible cable, 0.5mm², with wire end ferrule
- Operating mode: S3 - 100 % ED
- End position switch-off: load-dependent
- Ambient temperature: 0...+60°C
- Weight: 0.18 kg

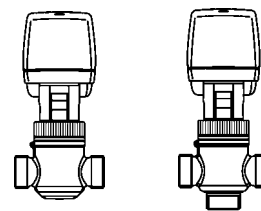
¹⁾ only rectified alternating voltage

Control valves with electric actuators up to 120°C

PN 16 **2.1.1**

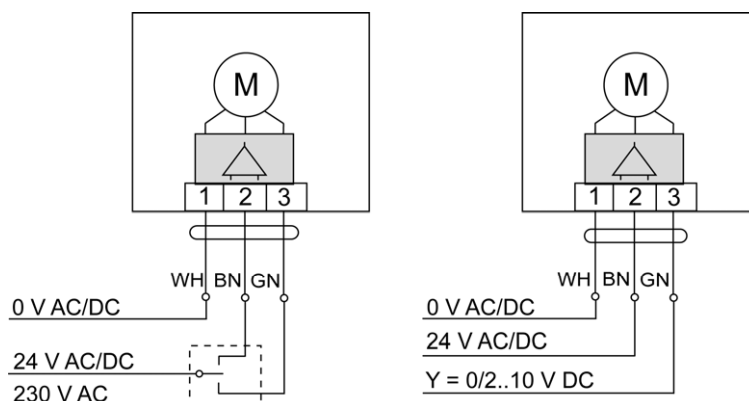
Screwed connection
PN 16
Brass

with electric actuators
MC15/24 • MC15/230



BR216MZ **BR316MZ**

Wiring



Technical data valve with actuator

BR216MZ

DN		15						20	25		
kvs-value	m ³ /h	0.25	0.4	0.63	1.0	1.6	2.5	4.0	6.3	8.0	
Stroke	mm	6.5									
MC15/24	Actuating time	130									
MC15/230	Closing pressure	kPa	600	600	600	600	300	300	300	150	150

100 kPa = 1 bar = 10 mWS

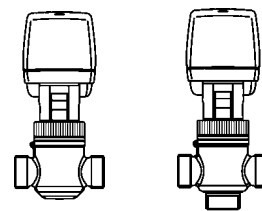
BR316MZ

DN		15						20	25		
kvs-value	m ³ /h	0.25	0.4	0.63	1.0	1.6	2.5	4.0	6.3	8.0	
Stroke	mm	6.5									
MC15/24	Actuating time	130									
MC15/230	Closing pressure	kPa	600	600	600	600	300	300	300	150	150

100 kPa = 1 bar = 10 mWS

Screwed connection
PN 16
Brass

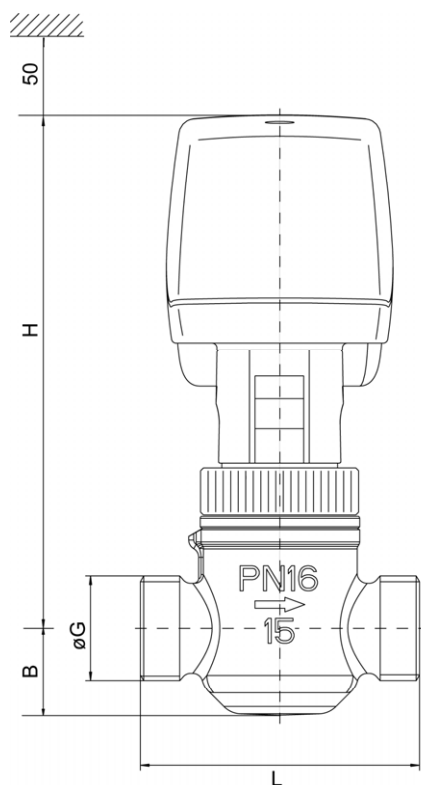
with electric actuators
MC15/24 • MC15/230



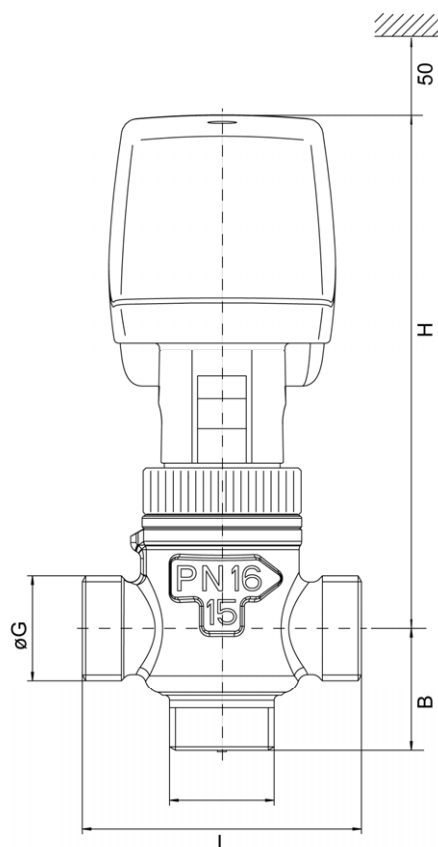
BR216MZ

BR316MZ

Drawing



BR216MZ MC15



BR316MZ MC15

Installation instruction:

Valve trim could be damaged by dirt in the pipe system. Therefore we recommend the installation of strainers.

Dimension

DN		15	20	25	
G		G ½ A	G ¾ A	G 1 ¼ A	
L	mm	56	66	76	
B	BR216MZ	mm	18	19	26
	BR316MZ	mm	24.5	33	38
H	mm	110	115	130	
m	BR216MZ	kg	0.34	0.40	0.70
	BR316MZ	kg	0.35	0.43	0.75