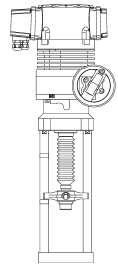


with microcontroller
 for two-way and three-way valves
 BR216 • BR316
 BR225 • BR325
 BR240S • BR340S
 BR240E • BR340E



Features MH2503

- Electric linear actuator for industrial applications, controlled by microprocessor, with automatic self-calibration
- Innovative eccentric cycloidal motor/gearbox design, incorporating a large-dimensioned and highly efficient 3-phase HORA motor
- High thrust of 25kN, combined with a fast actuating speed of 2mm/s
- Compact design and long stroke
- In series suitable for modulated control signals and 3-point control
- Integrated thrust-measuring sensor and permanent thrust detection
- Path-measuring system, supplying absolute values of travel, with a wear-free magnetic Hall-Effect sensor
- Automatic self-calibration at start up
- Connection-terminal in a separate terminal box. No need to open the actuators main housing
- Integrated, self-regulating heater
- Manual hand wheel with retractable crank
- Input and output signal independently invertible
- Wire break recognition in 2... 10 VDC and 4... 20 mA operation
- Binary input to travel to a pre-defined end position (e.g. for frost protection purposes, etc.)
- Hysteresis selectable

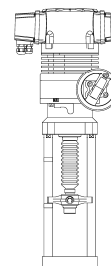
Technical data

Type	MH2503	
Actuating time	s/mm	0.5
Actuating thrust	kN	25
Stroke	mm	100
Power supply	VAC	230 +6% -10%
Frequency	Hz	50/60 ±5%
Power consumption	VA	max. 500VA, Power Rating 250VA standby power consumption <10VA
Input signal		3-point 0(2)...10 VDC 77 kOhm 0(4)...20 mA 0,51 kOhm
Output signal		0...10 VDC max. 8 mA min. 1200 Ohm
Hysteresis	V	0.05 · 0.15 · 0.3 · 0.5

Enclosure protection:	IP 65	
Resolution:	electrical	10 mV
	mechanical	0.15 mm
Operating mode:	S3-50% ED c/h 1200	EN 60034-1
	S3-30% ED c/h 1200	EN 60034-1
End position switch-off:	load-dependent	
Ambient temperature:	-10...+60°C	
Weight:	approx. 24 kg	

05/05/2015 Data subject to change without notice

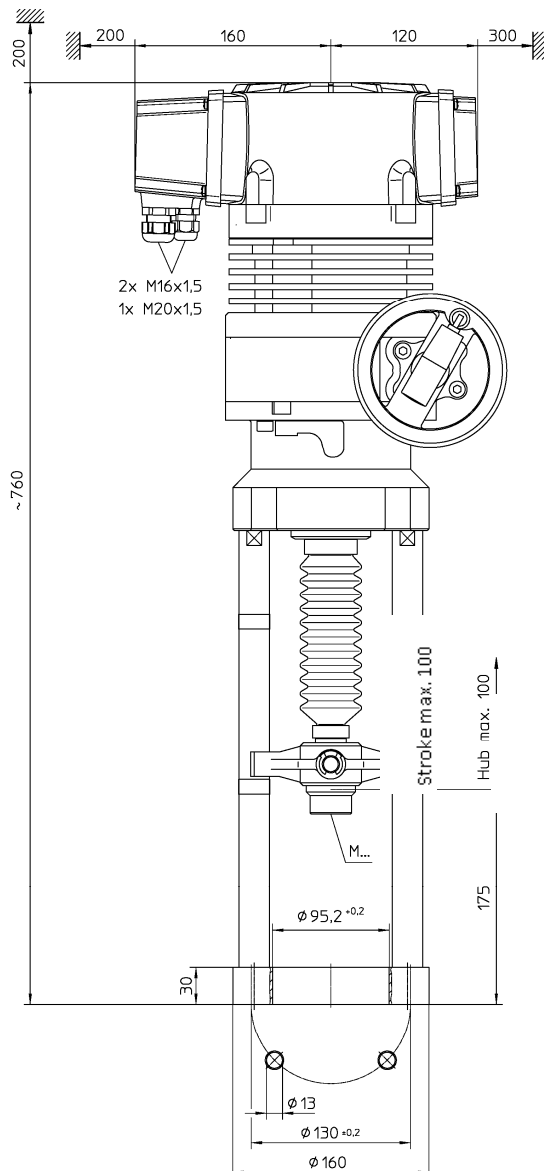
with microcontroller
 for two-way and three-way valves
 BR216 • BR316
 BR225 • BR325
 BR240S • BR340S
 BR240E • BR340E



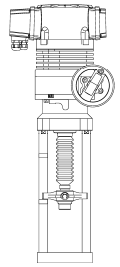
Actuator variant and accessories

- Position switch unit: Complete Connection Board, 2 switches (WE1/WE2), potential free, infinitely adjustable
 Rated load: 8 A / 250 VAC
 8 A / 30 VDC
 Turn-on voltage: max. 400 VAC / max. 125 VDC
- Pluggable IC-board for an output signal X = 0(4)...20 mA
- Linkages for valves of other makes

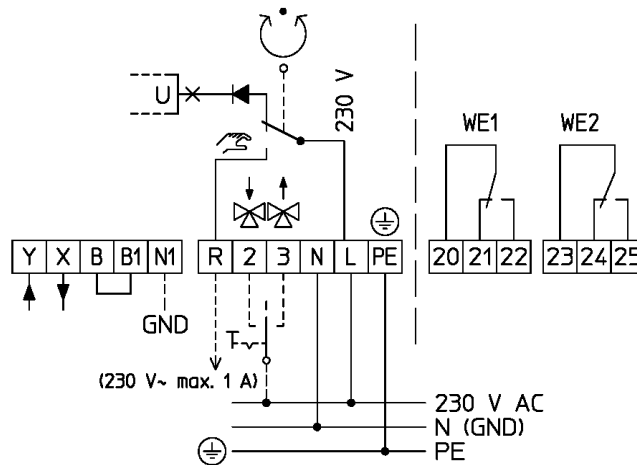
Dimensions:



with microcontroller
 for two-way and three-way valves
 BR216 • BR316
 BR225 • BR325
 BR240S • BR340S
 BR240E • BR340E



Circuit diagram:



R: Status signal for „Manual“ mode of operation, R=230 VAC max.1 A

N1: Zero potential of the „X“, and „Y“ signals.

If the actuator is used in the „continuous“ mode of operation by supplying an analogue signal „Y“, the connection of N1 (zero potential of the controller) is absolutely necessary. In „3-point“ mode of operation, it is only necessary to connect N1 if the feedback signal „X“ is to be used as well.

B1/B2: Connection of a binary signal (e.g. for frost protection purposes, etc.)