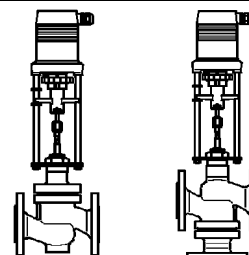


Flanged connection	with electric actuators
PN 16 – 40	MC103/24 • MC103/230
Cast iron	MC163/24 • MC163/230
Spheroidal graphite	MC253/24 • MC253/230
Cast steel	MC403/24 • MC403/230
Stainless steel	MC503/24 • MC503/230
	MC1003/24 • MC1003/230
	MC1503/24 • MC1503/230
	MH2503



**BR216**  
**BR225**  
**BR240S**  
**BR240E**

**BR316**  
**BR325**  
**BR340S**  
**BR340E**

## Features

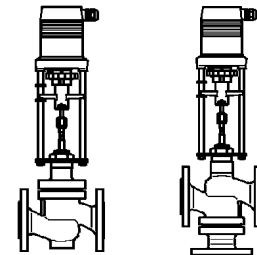
- Suitable in building and process engineering for various mediums 0...+200°C
- Suitable with stuffing box extension or stem seal with stainless steel bellow to –10...+350°C and for valves made of stainless steel to –30...+350°C
- Suitable with stem heater for water with antifreeze compounds down to –10°C and for valves made of stainless steel to –30
- Microprocessor controlled
- Automatic self-calibration at start up

## Technical data valve

Series	BR216	BR225	BR240S	BR240E
Form	Two-way			
Diameter nominal	DN 125 – DN 300	DN 15 – DN 250 <sup>1)</sup>	DN 15 – DN 300	
Pressure rating	PN 16	PN 16 / PN 25 / PN 40	PN 40	
Body	Cast iron EN-JL1040	Spheroidal graphite EN-JS1024	Cast steel 1.0619+N	Stainless steel 1.4408
Plug	CrNi-steel 1.4057			CrNi-steel 1.4571
Stem	CrMo-steel 1.4122			CrNi-steel 1.4571
Characteristic	≤ DN 50: equal % ≥ DN 65: eq. % mod.		Option: linear	Option: linear
	Perforated plug: equal %		Option: linear	
Stroke [mm] MC103 – MC1503	20 (DN 15 – DN 40) 30 (DN 50 – DN 65) 50 (DN 80 – DN 100) 60 (DN 125 – DN 200) 80 (DN 250 – DN 300)			
Stroke [mm] MH2503	60 (DN 125 – DN 200) 100 (DN 250 – DN 300)			
Rangeability	≥ 50:1			
Connection type	Flanges acc. EN 1092-2 Typ 21		Flanges acc. EN 1092-1 Typ 21	
Pressure, Temp.	Acc. EN 1092 part 2		Acc. EN 1092 part 1	

<sup>1)</sup> DN 150: PN 16 or PN 25  
DN 200: PN 16

Flanged connection PN 16 – 40	with electric actuators MC103/24 • MC103/230
Cast iron	MC163/24 • MC163/230
Spheroidal graphite	MC253/24 • MC253/230
Cast steel	MC403/24 • MC403/230
Stainless steel	MC503/24 • MC503/230 MC1003/24 • MC1003/230 MC1503/24 • MC1503/230 MH2503



**BR216**  
**BR225**  
**BR240S**  
**BR240E**

**BR316**  
**BR325**  
**BR340S**  
**BR340E**

Series	BR316	BR325	BR340S	BR340E
Form	Three-way			
Diameter nominal	DN 125 – DN 300	DN 15 – DN 250 <sup>1)</sup>	DN 15 – DN 300	
Pressure rating	PN 16	PN 25	PN 40	
Body	Cast iron <sup>2)</sup> EN-JL1040	Spheroidal graphite EN-JS1024	Cast steel 1.0619+N	Stainless steel 1.4408
Plug	CrNi-steel 1.4057			CrNi-steel 1.4571
Stem	CrMo-steel 1.4122			CrNi-steel 1.4571
Characteristic	≤ DN 40: A→AB equal % Option: linear B→AB linear ≥ DN 50: A→AB eq. % mod. Option: linear B→AB linear			
Stroke [mm] MC103 – MC1503	20 (DN 15 – DN 40) 30 (DN 50 – DN 65) 50 (DN 80 – DN 100) 60 (DN 125 – DN 200) 80 (DN 250 – DN 300)			
Stroke [mm] MH2503	60 (DN 125 – DN 200) 100 (DN 250 – DN 300)			
Rangeability	≥ 50:1			
Connection type	Flanges acc. EN 1092-2 Typ 21		Flanges acc. EN 1092-1 Typ 21	
Pressure, Temp.	Acc. EN 1092 part 2		Acc. EN 1092 part 1	

Function: BR216/225/240S/240E as two-way valve  
 BR316/325/340S/340E as mixing valve or  
 BR316/325/340S/340E as diverting valve with reduced closing pressure

Face to face dimension: Acc. EN 558-1 basic series 1

Leakage rate: EN 1349 – seat-leakage IV L1 (≤ 0.01% of kvs-value)

Stem sealing: O-rings made of EPDM 0...+180°C chilled and hot-water with max. 50% antifreeze and anti-corrosive compounds: glycol, ethylene glycol, mono ethylene, ethanol, methyl alcohol, glycerine, antifrogen® N+L

O-rings made of FKM 0...+150°C media based on mineral oil

O-rings made of Fluoraz® 0...+200°C hot water, steam and oil

PTFE-Packing 0...+200°C hot water, steam and oil

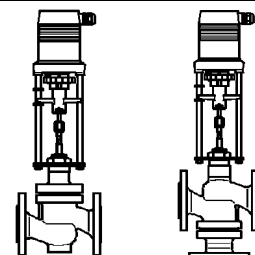
Graphite-Packing 0...+400°C <sup>3)</sup> hot water, steam and oil

<sup>1)</sup> DN 150: PN 16 or PN 25  
 DN 200: PN 16

<sup>2)</sup> Due to a change in material, we reserve the right to supply valves up to DN 100 in higher grade spheroidal graphite EN-JS1024

<sup>3)</sup> only in combination with stuffing box extension or stem seal with stainless steel bellows

Flanged connection PN 16 – 40 Cast iron Spheroidal graphite Cast steel Stainless steel	with electric actuators MC103/24 • MC103/230 MC163/24 • MC163/230 MC253/24 • MC253/230 MC403/24 • MC403/230 MC503/24 • MC503/230 MC1003/24 • MC1003/230 MC1503/24 • MC1503/230 MH2503
---	---



<b>BR216</b> <b>BR225</b> <b>BR240S</b> <b>BR240E</b>	<b>BR316</b> <b>BR325</b> <b>BR340S</b> <b>BR340E</b>
--	--

## Valve variant and accessories

for two-way and three-way valves:

- Body and plug seat grounded in, EN 1349 – seat-leakage IV-S1 L1 ( $\leq 0.0005\%$  of kvs-value)
- Plug with soft sealing made of NBR, EPDM, PTFE; EN 1349 – seat-leakage VI G1 (tight sealing)
- Stem heater:
  - 24 VAC, 50 Hz or 24 VDC
  - $P_{max.} \approx 250 \text{ VA}$
  - $P_N \approx 45 \text{ VA}$
  - S1 100% ED
  - IP 54
- Stem seal with stainless steel bellow:
  - for valves made of cast iron  $-10^\circ\text{C} \dots +200^\circ\text{C}$
  - for valves made of spheroidal graphite and cast steel  $-10^\circ\text{C} \dots +350^\circ\text{C}$   
Stuffing box made of graphite
  - for valves made of stainless steel  $-30^\circ\text{C} \dots +350^\circ\text{C}$   
Stuffing box made of graphite
- Stuffing box extension:
  - 100 mm
  - for valves made of spheroidal graphite  $-10^\circ\text{C} \dots +350^\circ\text{C}$
  - for valves made of cast- and stainless steel  $-30^\circ\text{C} \dots +400^\circ\text{C}$
- Epoxy resin special varnish as a corrosion resistant in case of condensed water, max.  $80^\circ\text{C}$  <sup>1)</sup>
- technical silicon free version, max.  $180^\circ\text{C}$
- oil and fat free for oxygen application

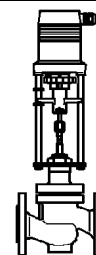
only for two-way valves:

- Screwed seat:
  - for valves made of cast iron, spheroidal graphite and cast steel made of 1.4122, unhardened or hardened
  - for valves made of stainless steel made of 1.4571
- Perforated plug:
  - for valves made of cast iron, spheroidal graphite and cast steel made of 1.4057, unhardened or hardened
  - for valves made of stainless steel made of 1.4571
- Housing seat SKWAM plated or Stellite 6 plated <sup>2)</sup>
- Balanced plug, max. operating temperature  $200^\circ\text{C}$

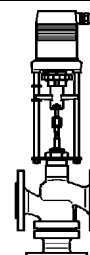
<sup>1)</sup> except valves made of stainless steel

<sup>2)</sup> only for valves made of spheroidal graphite and stainless steel

Flanged connection	with electric actuators
PN 16 – 40	MC103/24 • MC103/230
Cast iron	MC163/24 • MC163/230
Spheroidal graphite	MC253/24 • MC253/230
Cast steel	MC403/24 • MC403/230
Stainless steel	MC503/24 • MC503/230
	MC1003/24 • MC1003/230
	MC1503/24 • MC1503/230
	MH2503

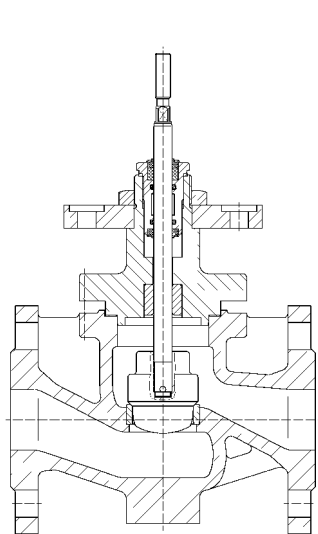


**BR216  
BR225  
BR240S  
BR240E**

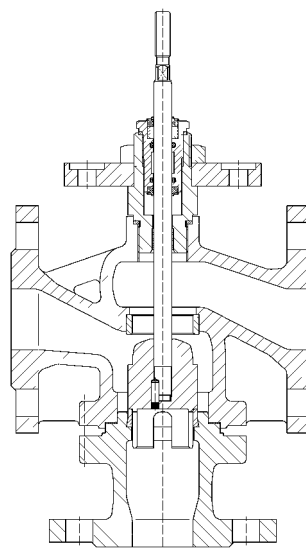


**BR316  
BR325  
BR340S  
BR340E**

### Drawing



BR216/225/240S/240E



BR316/325/340S/340E

### Technical data actuator MC103 – MC1503

Type		MC103/24 <sup>5)</sup>	MC103/230 <sup>5)</sup>
Actuating time <sup>1)</sup>	s/mm	12 · 9 · 4* · 1.9	12 · 9 · 4* · 1.9
Actuating thrust	kN	1.0	1.0
Stroke	mm	max. 20	max. 20
Power supply	VAC	24 ±10%	230 +6% -10%
Power supply <sup>2)</sup>	VDC	24 ±10%	-
Frequency	Hz	50/60 ±5%	50/60 ±5%
Power consumption	VA	6	12
Input signal <sup>3)</sup>		3-point 0(2)...10 VDC 77 kOhm 0(4)...20 mA 0.51 kOhm	3-point 0(2)...10 VDC 77 kOhm 0(4)...20 mA 0.51 kOhm
Output signal <sup>3)</sup>		0...10 VDC max. 8 mA min. 1200 Ohm	0...10 VDC max. 8 mA min. 1200 Ohm
Hysteresis <sup>4)</sup>	V	0.15 · 0.5	0.15 · 0.5

<sup>1)</sup> Actuating time freely adjustable, presetting is marked with \*

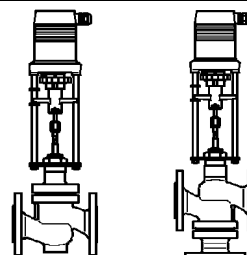
<sup>2)</sup> only rectified alternating voltage

<sup>3)</sup> Invertible input and output signal

<sup>4)</sup> Freely adjustable

<sup>5)</sup> Actuator suitable for medium temperature up to 150°C

Flanged connection	with electric actuators
PN 16 – 40	MC103/24 • MC103/230
Cast iron	MC163/24 • MC163/230
Spheroidal graphite	MC253/24 • MC253/230
Cast steel	MC403/24 • MC403/230
Stainless steel	MC503/24 • MC503/230
	MC1003/24 • MC1003/230
	MC1503/24 • MC1503/230
	MH2503



**BR216**  
**BR225**  
**BR240S**  
**BR240E**

**BR316**  
**BR325**  
**BR340S**  
**BR340E**

Type		MC163/24	MC163/230
Actuating time <sup>1)</sup>	s/mm	6 · 4*	6 · 4*
Actuating thrust	kN	1.6	1.6
Stroke	mm	max. 30	max. 30
Power supply	VAC	24 ±10%	230 +6% -10%
Power supply <sup>2)</sup>	VDC	24 ±10%	-
Frequency	Hz	50/60 ±5%	50/60 ±5%
Power consumption	VA	6	12
Input signal <sup>3)</sup>		3-point 0(2)...10 VDC 77 kOhm 0(4)...20 mA 0.51 kOhm	3-point 0(2)...10 VDC 77 kOhm 0(4)...20 mA 0.51 kOhm
Output signal <sup>3)</sup>		0...10 VDC max. 8 mA min. 1200 Ohm	0...10 VDC max. 8 mA min. 1200 Ohm
Hysteresis <sup>4)</sup>	V	0.05 · 0.15 · 0.3 · 0.5	0.05 · 0.15 · 0.3 · 0.5

Type		MC253/24	MC253/230
Actuating time <sup>1)</sup>	s/mm	5 · 2.5*	5 · 2.5*
Actuating thrust	kN	2.5	2.5
Stroke	mm	max. 60	max. 60
Power supply	VAC	24 ±10%	230 +6% -10%
Power supply <sup>2)</sup>	VDC	24 ±10%	-
Frequency	Hz	50/60 ±5%	50/60 ±5%
Power consumption	VA	max. 18	max. 25
Input signal <sup>3)</sup>		3-point 0(2)...10 VDC 77 kOhm 0(4)...20 mA 0.51 kOhm	3-point 0(2)...10 VDC 77 kOhm 0(4)...20 mA 0.51 kOhm
Output signal <sup>3)</sup>		0...10 VDC max. 8 mA min. 1200 Ohm	0...10 VDC max. 8 mA min. 1200 Ohm
Hysteresis <sup>4)</sup>	V	0.05 · 0.15 · 0.3 · 0.5	0.05 · 0.15 · 0.3 · 0.5

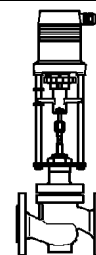
<sup>1)</sup> Actuating time freely adjustable, presetting is marked with \*

<sup>2)</sup> only rectified alternating voltage

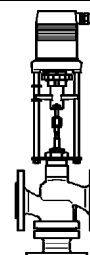
<sup>3)</sup> Invertible input and output signal

<sup>4)</sup> Freely adjustable

Flanged connection	with electric actuators
PN 16 – 40	MC103/24 • MC103/230
Cast iron	MC163/24 • MC163/230
Spheroidal graphite	MC253/24 • MC253/230
Cast steel	MC403/24 • MC403/230
Stainless steel	MC503/24 • MC503/230
	MC1003/24 • MC1003/230
	MC1503/24 • MC1503/230
	MH2503



**BR216**  
**BR225**  
**BR240S**  
**BR240E**



**BR316**  
**BR325**  
**BR340S**  
**BR340E**

Type		MC403/24	MC403/230
Actuating time <sup>1)</sup>	s/mm	0.6 · 0.4*	0.6 · 0.4*
Actuating thrust	kN	4.0	4.0
Stroke	mm	max. 60	max. 60
Power supply	VAC	24 ±10%	230 +6% -10%
Frequency	Hz	50/60 ±5%	50/60 ±5%
Power consumption	VA	max. 50	max. 63
Input signal <sup>3)</sup>		3-point 0(2)...10 VDC 77 kOhm 0(4)...20 mA 0.51 kOhm	3-point 0(2)...10 VDC 77 kOhm 0(4)...20 mA 0.51 kOhm
Output signal <sup>3)</sup>		0...10 VDC max. 8 mA min. 1200 Ohm	0...10 VDC max. 8 mA min. 1200 Ohm
Hysteresis <sup>4)</sup>	V	0.05 · 0.15 · 0.3 · 0.5	0.05 · 0.15 · 0.3 · 0.5

Type		MC503/24	MC503/230
Actuating time <sup>1)</sup>	s/mm	5 · 2.5*	5 · 2.5*
Actuating thrust	kN	5.0	5.0
Stroke	mm	max. 60	max. 60
Power supply	VAC	24 ±10%	230 +6% -10%
Power supply <sup>2)</sup>	VDC	24 ±10%	-
Frequency	Hz	50/60 ±5%	50/60 ±5%
Power consumption	VA	max. 18	max. 25
Input signal <sup>3)</sup>		3-point 0(2)...10 VDC 77 kOhm 0(4)...20 mA 0.51 kOhm	3-point 0(2)...10 VDC 77 kOhm 0(4)...20 mA 0.51 kOhm
Output signal <sup>3)</sup>		0...10 VDC max. 8 mA min. 1200 Ohm	0...10 VDC max. 8 mA min. 1200 Ohm
Hysteresis <sup>4)</sup>	V	0.05 · 0.15 · 0.3 · 0.5	0.05 · 0.15 · 0.3 · 0.5

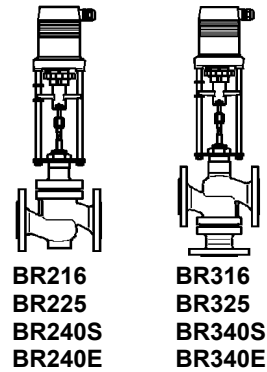
<sup>1)</sup> Actuating time freely adjustable, presetting is marked with \*

<sup>2)</sup> only rectified alternating voltage

<sup>3)</sup> Invertible input and output signal

<sup>4)</sup> Freely adjustable

Flanged connection	with electric actuators
PN 16 – 40	MC103/24 • MC103/230
Cast iron	MC163/24 • MC163/230
Spheroidal graphite	MC253/24 • MC253/230
Cast steel	MC403/24 • MC403/230
Stainless steel	MC503/24 • MC503/230
	MC1003/24 • MC1003/230
	MC1503/24 • MC1503/230
	MH2503



**BR216**  
**BR225**  
**BR240S**  
**BR240E**

**BR316**  
**BR325**  
**BR340S**  
**BR340E**

Type		MC1003/24	MC1503/24	MC1003/230	MC1503/230
Actuating time <sup>1)</sup>	s/mm	1	2	1	2
Actuating thrust	kN	10	15	10	15
Stroke	mm	max. 80		max. 80	
Power supply	VAC	24 ±10%		230 +6% -10%	
Frequency	Hz	50/60 ±5%		50/60 ±5%	
Power consumption	VA	max. 50		max. 63	
Input signal <sup>2)</sup>		3-point 0(2)...10 VDC 77 kOhm 0(4)...20 mA 0.51 kOhm		3-point 0(2)...10 VDC 77 kOhm 0(4)...20 mA 0.51 kOhm	
Output signal <sup>2)</sup>		0...10 VDC max. 8 mA min. 1200 Ohm		0...10 VDC max. 8 mA min. 1200 Ohm	
Hysteresis <sup>3)</sup>	V	0.05 · 0.15 · 0.3 · 0.5		0.05 · 0.15 · 0.3 · 0.5	

Enclosure protection: IP 54

Resolution:	MC...	electric	0.04 VDC
	MC103	mechanical	0.095 mm
	MC163 / MC1003 / MC1503	mechanical	0.05 mm
	MC253 / MC503	mechanical	0.04 mm
	MC403	mechanical	0.12 mm

Operating mode:	MC103 / MC163 / MC253 / MC503	S3-50% ED c/h 1200	EN 60034-1
	MC403 / MC1003 / MC1503	S3-30% ED c/h 1200	EN 60034-1

End position switch-off: load-dependent

Ambient temperature:	MC103 / MC163	0...+60°C
	MC253 / MC403 / MC503 / MC1003	-10...+60°C
	MC1503	-10...+50°C

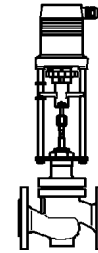
Weight:	MC103	2.5 kg
	MC163	4.0 kg
	MC253/24 and MC503/24	7.4 kg
	MC253/230 and MC503/230	8.6 kg
	MC403	9.5 kg
	MC1003 / MC1503	11.5 kg

<sup>1)</sup> Actuating time freely adjustable, presetting is marked with \*

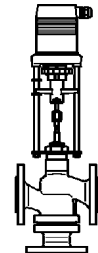
<sup>2)</sup> Invertible input and output signal

<sup>3)</sup> Freely adjustable

Flanged connection	with electric actuators
PN 16 – 40	MC103/24 • MC103/230
Cast iron	MC163/24 • MC163/230
Spheroidal graphite	MC253/24 • MC253/230
Cast steel	MC403/24 • MC403/230
Stainless steel	MC503/24 • MC503/230
	MC1003/24 • MC1003/230
	MC1503/24 • MC1503/230
	MH2503



**BR216**  
**BR225**  
**BR240S**  
**BR240E**

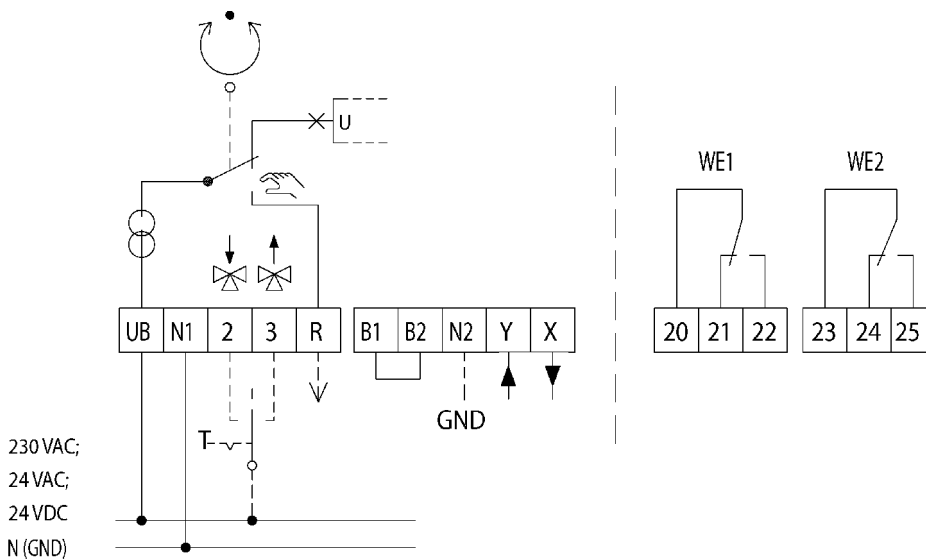


**BR316**  
**BR325**  
**BR340S**  
**BR340E**

### Actuator variant and accessories

- Voltage: 115 VAC
- Position switch unit <sup>1)</sup>: 2 switches (WE1/WE2), potential free, infinitely adjustable  
 Rated load: 8 A / 250 VAC  
 8 A / 30 VDC  
 Turn-on voltage: max. 400 VAC  
 max. 125 VDC
- Enclosure protection: IP 65
- Board for output signal X=0(4)...20 mA <sup>1)</sup>
- Adapter with coupling for external products

### Circuit diagram MC103 / MC163

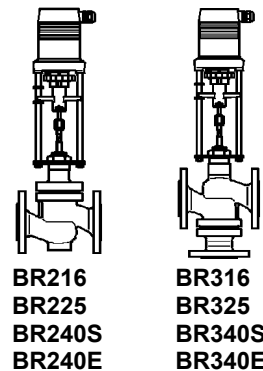


B1/B2 Connection of a binary signal (e.g. frost safety)

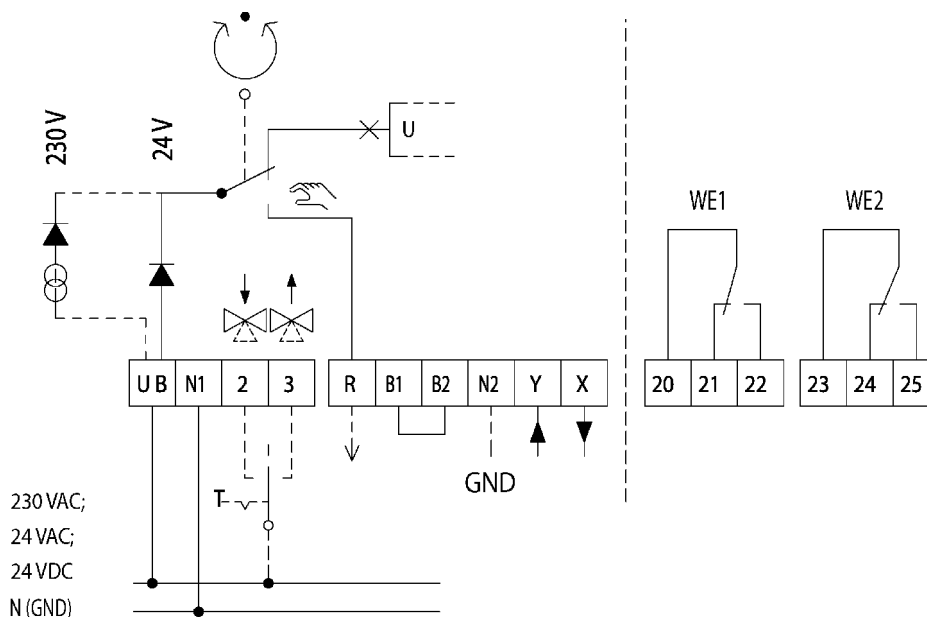
<sup>1)</sup> MC103/MC163: Position switch unit and output signal 0(4)...20 mA not in combination



Flanged connection	with electric actuators
PN 16 – 40	MC103/24 • MC103/230
Cast iron	MC163/24 • MC163/230
Spheroidal graphite	MC253/24 • MC253/230
Cast steel	MC403/24 • MC403/230
Stainless steel	MC503/24 • MC503/230
	MC1003/24 • MC1003/230
	MC1503/24 • MC1503/230
	MH2503



### Circuit diagram MC253 / MC403 / MC503 / MC1003 / MC1503



B1/B2 Connection of a binary signal (e.g. frost safety)

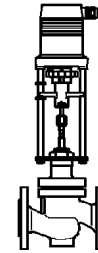
### Technical data actuator MH2503

Type	MH2503	
Actuating time	s/mm	0,5
Actuating thrust	kN	25
Stroke	mm	100
Power supply	VAC	230 +6% -10%
Frequency	Hz	50/60 ±5%
Power consumption	VA	max. 500VA, Power Rating 250VA standby power consumption <10VA
Input signal <sup>1)</sup>		3-point 0(2)...10 VDC 77 kOhm 0(4)...20 mA 0,51 kOhm
Output signal <sup>1)</sup>		0...10 VDC max. 8 mA min. 1200 Ohm
Hysteresis <sup>2)</sup>	V	0,05 · 0,15 · 0,3 · 0,5

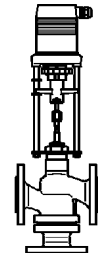
<sup>1)</sup> Invertible input and output signal

<sup>2)</sup> Freely adjustable

Flanged connection	with electric actuators
PN 16 – 40	MC103/24 • MC103/230
Cast iron	MC163/24 • MC163/230
Spheroidal graphite	MC253/24 • MC253/230
Cast steel	MC403/24 • MC403/230
Stainless steel	MC503/24 • MC503/230
	MC1003/24 • MC1003/230
	MC1503/24 • MC1503/230
	MH2503



**BR216**  
**BR225**  
**BR240S**  
**BR240E**



**BR316**  
**BR325**  
**BR340S**  
**BR340E**

Enclosure protection:	IP 65	
Resolution:	electric	10 mV
	mechanical	0,15 mm
Operating mode	S3-50% ED c/h 1200	EN 60034-1
	S3-30% ED c/h 1200	EN 60034-1
End position switch-off:	load-dependent	
Ambient temperature:	-10...+60°C	
Weight:	24 kg	

### Actuator variant and accessories

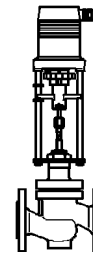
- Position switch unit: Complete Connection Board, 2 switches (WE1/WE2), potential free, infinitely adjustable  
 Rated load: 8 A / 250 VAC  
 8 A / 30 VDC  
 Turn-on voltage: max. 400 VAC / max. 125 VDC
- Pluggable integrated circuit (IC) for the output signal X=0(4)...20 mA
- Adapter with coupling for external products

# Control valves with electric actuators up to 350°C

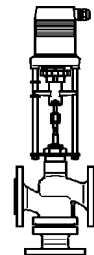
PN 16-40 **2.3.1**

Flanged connection  
 PN 16 – 40  
 Cast iron  
 Spheroidal graphite  
 Cast steel  
 Stainless steel

with electric actuators  
 MC103/24 • MC103/230  
 MC163/24 • MC163/230  
 MC253/24 • MC253/230  
 MC403/24 • MC403/230  
 MC503/24 • MC503/230  
 MC1003/24 • MC1003/230  
 MC1503/24 • MC1503/230  
 MH2503

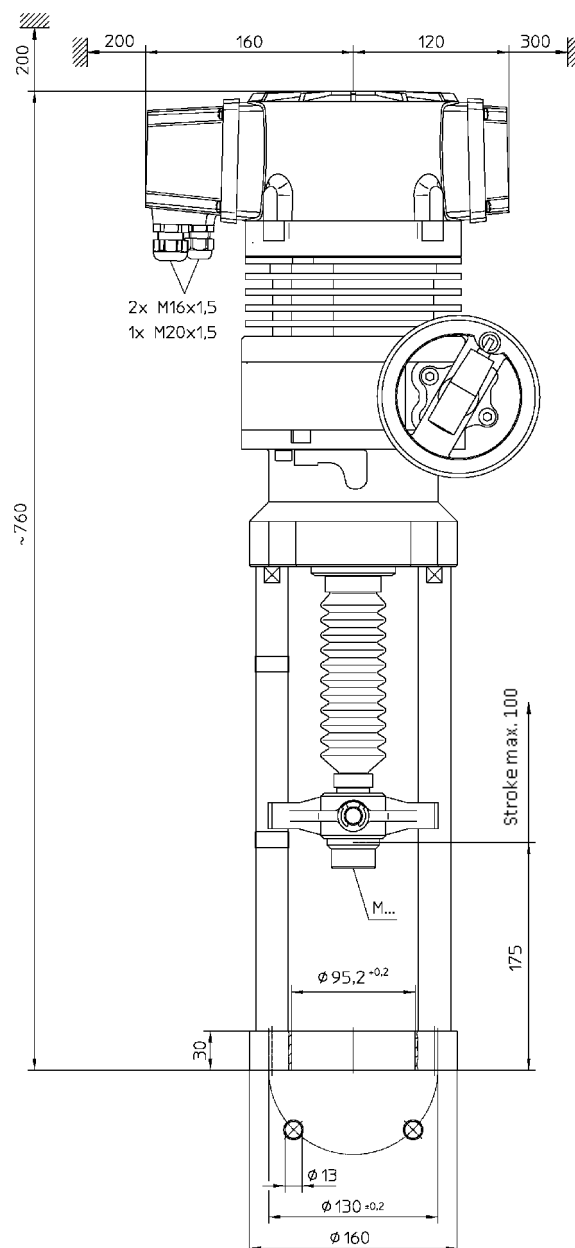


**BR216**  
**BR225**  
**BR240S**  
**BR240E**

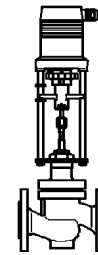


**BR316**  
**BR325**  
**BR340S**  
**BR340E**

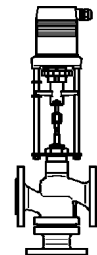
## Drawing



Flanged connection	with electric actuators
PN 16 – 40	MC103/24 • MC103/230
Cast iron	MC163/24 • MC163/230
Spheroidal graphite	MC253/24 • MC253/230
Cast steel	MC403/24 • MC403/230
Stainless steel	MC503/24 • MC503/230
	MC1003/24 • MC1003/230
	MC1503/24 • MC1503/230
	MH2503

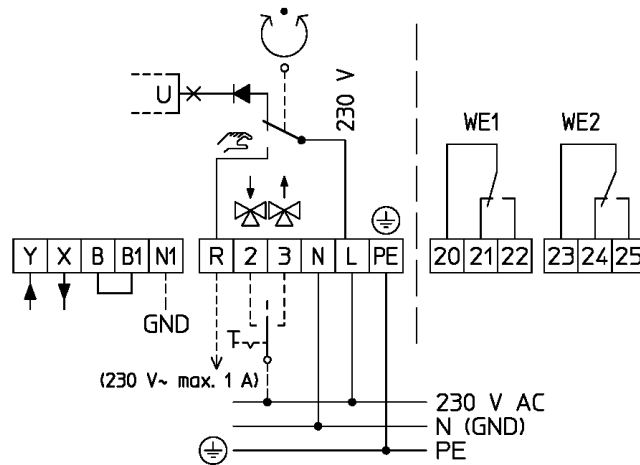


**BR216**  
**BR225**  
**BR240S**  
**BR240E**



**BR316**  
**BR325**  
**BR340S**  
**BR340E**

### Circuit diagram



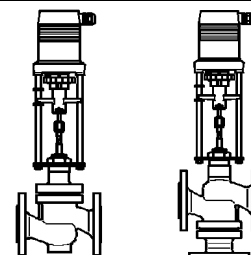
R Feedback signal in „Manual“ mode of operation  
R=230 VAC max.1 A

N2 Zero potential of the „X“, „Y“ and „R“ signals.

If the actuators are to be triggered on the „continuous“ mode of operation, i.e. by analogue signal „Y“, the connection of N2 (zero potential of the controller) is absolutely necessary. For actuators in connection N2 in „3-position“ mode of operation, it is only necessary if „X“ and/or „R“ are to be use by the actuator.

B1/B2 Connection of a binary signal (e.g. frost safety)

Flanged connection	with electric actuators
PN 16 – 40	MC103/24 • MC103/230
Cast iron	MC163/24 • MC163/230
Spheroidal graphite	MC253/24 • MC253/230
Cast steel	MC403/24 • MC403/230
Stainless steel	MC503/24 • MC503/230
	MC1003/24 • MC1003/230
	MC1503/24 • MC1503/230
	MH2503



**BR216**  
**BR225**  
**BR240S**  
**BR240E**

**BR316**  
**BR325**  
**BR340S**  
**BR340E**

## Technical data valve with actuator

### PN 16 BR216

DN			125	150	200	250	300	
kvs-value	m <sup>3</sup> /h		250	400	630	1000	1250	
			200 <sup>S</sup>	315 <sup>S</sup>	500 <sup>S</sup>	800	1000	
			160	250	400	630	800	
			125 <sup>SL</sup>	200 <sup>SL</sup>	315 <sup>SL</sup>	500 <sup>L</sup>	630 <sup>L</sup>	
Stroke	mm	60				80		
MC403/24 MC403/230	t <sup>1)</sup>	s	40					
			25*					
MC503/24 MC503/230	t <sup>1)</sup>	s	300					
			150*					
MC1003/24 MC1003/230	Δp <sub>s</sub>	kPa	200	130				
MC1503/24 MC1503/230	t	s	120				160	
			Δp <sub>s</sub>	kPa	950	700	370	220

100 kPa = 1 bar = 10 mWS  
 Δp<sub>s</sub>: Closing pressure

DN			125	150	200	250	300	
kvs-value	m <sup>3</sup> /h		250	400	630	1000	1600	
			200 <sup>S</sup>	315 <sup>S</sup>	500 <sup>S</sup>	800	1250	
			160	250	400	630 <sup>L</sup>	1000	
			125 <sup>SL</sup>	200 <sup>SL</sup>	315 <sup>SL</sup>	500 <sup>L</sup>	800 <sup>L</sup>	
Stroke	mm	60				100		
MH2503/230	t	s	30				50	
			Δp <sub>s</sub>	kPa	1600	1250	690	440

100 kPa = 1 bar = 10 mWS  
 Δp<sub>s</sub>: Closing pressure

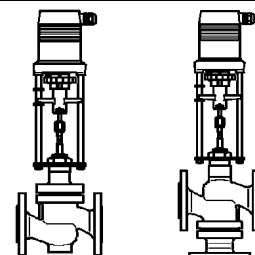
<sup>1)</sup> Actuating time freely adjustable, presetting is marked with \*  
<sup>L)</sup> Available with perforated plug  
<sup>S)</sup> Special-kvs-value

# Control valves with electric actuators up to 350°C

PN 16-40 **2.3.1**

Flanged connection  
 PN 16 – 40  
 Cast iron  
 Spheroidal graphite  
 Cast steel  
 Stainless steel

with electric actuators  
 MC103/24 • MC103/230  
 MC163/24 • MC163/230  
 MC253/24 • MC253/230  
 MC403/24 • MC403/230  
 MC503/24 • MC503/230  
 MC1003/24 • MC1003/230  
 MC1503/24 • MC1503/230  
 MH2503



**BR216**  
**BR225**  
**BR240S**  
**BR240E**

**BR316**  
**BR325**  
**BR340S**  
**BR340E**

## PN 16 BR316

DN	125		150		200		250		300	
kvs-value	m <sup>3</sup> /h	250	400	630	1000	1250				
		200	315	500	800	1000				
		160 <sup>s</sup>	250 <sup>s</sup>	400 <sup>s</sup>	630	800				
		125 <sup>s</sup>	200 <sup>s</sup>	315 <sup>s</sup>	500	630				
Stroke	mm	60				80				
MC403/ 24	t <sup>1)</sup>	s	40							
			25*							
MC403/ 230	Δp <sub>s</sub>	kPa	200	130						
			300							
MC503/ 24	t <sup>1)</sup>	s	300							
			150*							
MC503/ 230	Δp <sub>s</sub>	kPa	290	190						
			MC1003/ 24	t	s	60		80		
MC1003/ 230	Δp <sub>s</sub>	kPa	500	350	200	100				
			MC1503/ 24	t	s	120		160		
MC1503/ 230	Δp <sub>s</sub>	kPa	950	700	370	220	150			

## PN 16 BR316

DN	125		150		200		250		300	
kvs-value	m <sup>3</sup> /h	250	400	630	1000	1600				
		200	315	500	800	1250				
		160 <sup>s</sup>	250 <sup>s</sup>	400 <sup>s</sup>	630	1000				
		125 <sup>s</sup>	200 <sup>s</sup>	315 <sup>s</sup>	500	800				
Stroke	mm	60				100				
MH2503/ 230	t	s	30				50			
			Δp <sub>s</sub>	kPa	1600	1250	690	440	300	

100 kPa = 1 bar = 10 mWS  
 Δp<sub>s</sub>: Closing pressure

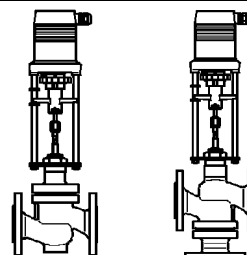
<sup>1)</sup> Please state when ordering  
<sup>s)</sup> Special-kvs-value

# Control valves with electric actuators up to 350°C

PN 16-40 **2.3.1**

Flanged connection  
 PN 16 – 40  
 Cast iron  
 Spheroidal graphite  
 Cast steel  
 Stainless steel

with electric actuators  
 MC103/24 • MC103/230  
 MC163/24 • MC163/230  
 MC253/24 • MC253/230  
 MC403/24 • MC403/230  
 MC503/24 • MC503/230  
 MC1003/24 • MC1003/230  
 MC1503/24 • MC1503/230  
 MH2503



**BR216**  
**BR225**  
**BR240S**  
**BR240E**

**BR316**  
**BR325**  
**BR340S**  
**BR340E**

## PN 16 / PN 25 / PN 40 BR225

DN	15	15	20	25	32	40	50	65 <sup>2)</sup>	80	100 <sup>2)</sup>	125 <sup>2)</sup>	150 <sup>3)</sup>	200 <sup>4)</sup>	
kvs-value	m³/h	4 <sup>L</sup>	2.5 1.6 1.25 1.0 0.63 0.4 0.25 0.16	6.3 <sup>L</sup> 5 <sup>S/L</sup>	10 8 <sup>S/L</sup>	16 12.5 <sup>S</sup> 10 <sup>L</sup>	25 20 <sup>S</sup> 16 <sup>L</sup> 12.5 <sup>S/L</sup>	40 31.5 <sup>S</sup> 25 <sup>L</sup> 20 <sup>S/L</sup>	63 50 <sup>S</sup> 40 <sup>L</sup> 31.5 <sup>S/L</sup>	100 80 <sup>S</sup> 63 <sup>L</sup> 50 <sup>S/L</sup>	160 125 <sup>S</sup> 100 <sup>L</sup> 80 <sup>S/L</sup>	250 200 <sup>S</sup> 160 125 <sup>S/L</sup>	400 315 <sup>S</sup> 250 200 <sup>S/L</sup>	630 500 <sup>S</sup> 400 315 <sup>S/L</sup>
		Stroke	mm	20				30		50		60		
MC103/ 24 MC103/ 230	t <sup>1)</sup>	s	240											
			180											
			80*											
			40											
	Δp <sub>s</sub>	kPa	1250	3500	1250	1050	600	350						
MC163/ 24 MC163/ 230	t <sup>1)</sup>	s	120						180					
			80*						120*					
	Δp <sub>s</sub>	kPa	2400	4000	2400	2050	1250	750	450	300				
MC253/ 24 MC253/ 230	t <sup>1)</sup>	s	100						150		250			
			50*						75*		125*			
	Δp <sub>s</sub>	kPa	4000	4000	4000	3500	2200	1400	850	540	350	200		
MC403/ 24 MC403/ 230	t <sup>1)</sup>	s	15						20		30		40	
			10*						15*		20*		25*	
	Δp <sub>s</sub>	kPa	4000	4000	4000	4000	3700	2400	1500	950	650	400	200	130
MC503/ 24 MC503/ 230	t <sup>1)</sup>	s	100						150		250		300	
			50*						75*		125*		150*	
	Δp <sub>s</sub>	kPa	4000	4000	4000	4000	4000	3150	1950	1250	850	500	290	190
MC1003/ 24 MC1003/ 230	t	s							30		50		60	
			Δp <sub>s</sub>	kPa							2150	1500	950	500
MC1503/ 24 MC1503/ 230	t	s											120	
			Δp <sub>s</sub>	kPa										

100 kPa = 1 bar = 10 mWS

Δp<sub>s</sub>: Closing pressure

The closing pressure is limited by the nominal pressure.

<sup>1)</sup> Actuating time freely adjustable, presetting is marked with \*

<sup>2)</sup> PN 16 or PN25-40

<sup>3)</sup> PN 16 or PN25

<sup>4)</sup> PN 16

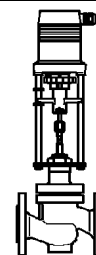
<sup>L)</sup> Available with perforated plug

<sup>S)</sup> Special-kvs-value

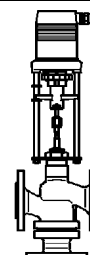
# Control valves with electric actuators up to 350°C

PN 16-40 **2.3.1**

Flanged connection	with electric actuators
PN 16 – 40	MC103/24 • MC103/230
Cast iron	MC163/24 • MC163/230
Spheroidal graphite	MC253/24 • MC253/230
Cast steel	MC403/24 • MC403/230
Stainless steel	MC503/24 • MC503/230
	MC1003/24 • MC1003/230
	MC1503/24 • MC1503/230
	MH2503



**BR216**  
**BR225**  
**BR240S**  
**BR240E**



**BR316**  
**BR325**  
**BR340S**  
**BR340E**

## PN 16 / PN 25 / PN 40 BR225

DN		125 <sup>2)</sup>	150 <sup>3)</sup>	200 <sup>4)</sup>
kvs-value	m <sup>3</sup> /h	250	400	630
		200 <sup>5)</sup>	315 <sup>5)</sup>	500 <sup>5)</sup>
Stroke	mm	160	250	400
		125 <sup>5L</sup>	200 <sup>5L</sup>	315 <sup>5L</sup>
		60		
		30		
MH2503/ 230	t			
	s			
	Δp <sub>s</sub>	kPa		
		1800	1250	690

100 kPa = 1 bar = 10 mWS

Δp<sub>s</sub>: Closing pressure

The closing pressure is limited by the nominal pressure.

<sup>2)</sup> PN 16 or PN25-40

<sup>3)</sup> PN 16 or PN25

<sup>4)</sup> PN 16

<sup>L)</sup> Available with perforated plug

<sup>5)</sup> Special-kvs-value

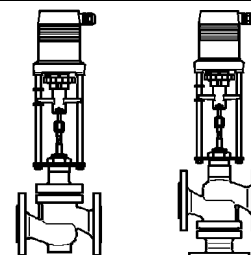


# Control valves with electric actuators up to 350°C

PN 16-40 **2.3.1**

Flanged connection  
 PN 16 – 40  
 Cast iron  
 Spheroidal graphite  
 Cast steel  
 Stainless steel

with electric actuators  
 MC103/24 • MC103/230  
 MC163/24 • MC163/230  
 MC253/24 • MC253/230  
 MC403/24 • MC403/230  
 MC503/24 • MC503/230  
 MC1003/24 • MC1003/230  
 MC1503/24 • MC1503/230  
 MH2503



**BR216**  
**BR225**  
**BR240S**  
**BR240E**

**BR316**  
**BR325**  
**BR340S**  
**BR340E**

## PN 16 / PN 25 / PN 40 BR325

DN	15	20	25	32	40	50	65 <sup>2)</sup>	80	100 <sup>2)</sup>	125 <sup>2)</sup>	150 <sup>3)</sup>	200 <sup>4)</sup>	
kvs-value	m <sup>3</sup> /h	4	6.3	10	16	25	40	63	100	160	250	400	630
		2.5	5	8	12.5	20	31.5	50	80	125	200	315	500
Stroke	mm	20					30		50		60		
		240											
MC103/ 24 MC103/ 230	t <sup>1)</sup>	s	180										
			80*										
	Δp <sub>s</sub>	kPa	40										
			1250		1250	1050	600	350					
MC163/ 24 MC163/ 230	t <sup>1)</sup>	s	120					180					
			80*					120*					
	Δp <sub>s</sub>	kPa	2400		2400	2050	1250	750	450	300			
MC253/ 24 MC253/ 230	t <sup>1)</sup>	s	100					150		250			
			50*					75*		125*			
	Δp <sub>s</sub>	kPa	4000		4000	3500	2200	1400	850	540	350	200	
MC403/ 24 MC403/ 230	t <sup>1)</sup>	s	15					20		30		40	
			10*					15*		20*		25*	
	Δp <sub>s</sub>	kPa	4000		4000	4000	3700	2400	1500	950	650	400	200
MC503/ 24 MC503/ 230	t <sup>1)</sup>	s	100					150		250		300	
			50*					75*		125*		150*	
	Δp <sub>s</sub>	kPa	4000		4000	4000	4000	3150	1950	1250	850	500	290
MC1003/ 24 MC1003/ 230	t	s						30		50		60	
	Δp <sub>s</sub>	kPa						2150		1500	950	500	350
MC1503/ 24 MC1503/ 230	t	s										120	
	Δp <sub>s</sub>	kPa										950	700

100 kPa = 1 bar = 10 mWS

Δp<sub>s</sub>: Closing pressure

The closing pressure is limited by the nominal pressure.

<sup>1)</sup> Actuating time freely adjustable, presetting is marked with \*

<sup>2)</sup> PN 16 or PN25-40

<sup>3)</sup> PN 16 or PN25

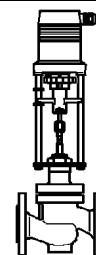
<sup>4)</sup> PN 16

<sup>5)</sup> Special-kvs-value

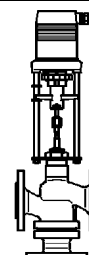
# Control valves with electric actuators up to 350°C

PN 16-40 **2.3.1**

Flanged connection	with electric actuators
PN 16 – 40	MC103/24 • MC103/230
Cast iron	MC163/24 • MC163/230
Spheroidal graphite	MC253/24 • MC253/230
Cast steel	MC403/24 • MC403/230
Stainless steel	MC503/24 • MC503/230
	MC1003/24 • MC1003/230
	MC1503/24 • MC1503/230
	MH2503



**BR216**  
**BR225**  
**BR240S**  
**BR240E**



**BR316**  
**BR325**  
**BR340S**  
**BR340E**

## PN 16 / PN 25 / PN 40 BR325

DN		125 <sup>2)</sup>	150 <sup>3)</sup>	200 <sup>4)</sup>
kvs-value	m <sup>3</sup> /h	250	400	630
		200 <sup>5)</sup>	315 <sup>5)</sup>	500 <sup>5)</sup>
Stroke	mm	160	250	400
		125 <sup>5)</sup>	200 <sup>5)</sup>	315 <sup>5)</sup>
		60		
		30		
MH2503/ 230	t	1800	1250	690
	s			
	Δp <sub>s</sub>			
	kPa			

100 kPa = 1 bar = 10 mWS

Δp<sub>s</sub>: Closing pressure

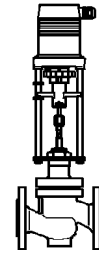
The closing pressure is limited by the nominal pressure.

<sup>2)</sup> PN 16 or PN25-40  
<sup>3)</sup> PN 16 or PN25  
<sup>4)</sup> PN 16  
<sup>5)</sup> Special-kvs-value

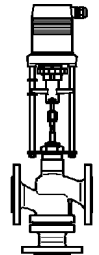
# Control valves with electric actuators up to 350°C

## PN 16-40 **2.3.1**

Flanged connection	with electric actuators
PN 16 – 40	MC103/24 • MC103/230
Cast iron	MC163/24 • MC163/230
Spheroidal graphite	MC253/24 • MC253/230
Cast steel	MC403/24 • MC403/230
Stainless steel	MC503/24 • MC503/230
	MC1003/24 • MC1003/230
	MC1503/24 • MC1503/230
	MH2503



**BR216**  
**BR225**  
**BR240S**  
**BR240E**



**BR316**  
**BR325**  
**BR340S**  
**BR340E**

### PN 40 BR240S / BR240E

DN	15	15	20	25	32	40	50	65	80	100	125	150	200	250	300		
kvs-value	m <sup>3</sup> /h	4 <sup>L</sup>	2.5	6.3 <sup>L</sup>	10	16	25	40	63	100	160	250	400	630	1000	1250	
		1.6	5 <sup>SL</sup>	8 <sup>SL</sup>	12.5 <sup>S</sup>	20 <sup>S</sup>	31.5 <sup>S</sup>	50 <sup>S</sup>	80 <sup>S</sup>	125 <sup>S</sup>	200 <sup>S</sup>	315 <sup>S</sup>	500 <sup>S</sup>	800	1000	1000	
		1.25	4 <sup>L</sup>	6.3 <sup>L</sup>	10 <sup>L</sup>	16 <sup>L</sup>	25 <sup>L</sup>	40 <sup>L</sup>	63 <sup>L</sup>	100 <sup>L</sup>	160	250	400	630	1000	1250	
		1.0	2.5 <sup>SL</sup>	5 <sup>SL</sup>	8 <sup>SL</sup>	12.5 <sup>SL</sup>	20 <sup>SL</sup>	31.5 <sup>SL</sup>	50 <sup>SL</sup>	80 <sup>SL</sup>	125 <sup>SL</sup>	200 <sup>SL</sup>	315 <sup>SL</sup>	500 <sup>L</sup>	800	1000	
		0.63															
		0.4															
		0.25															
		0.16															
Stroke	mm	20					30			50		60			80		
MC103/ 24 MC103/ 230	t <sup>1)</sup>	s	240														
			180														
			80*														
			40														
	Δp <sub>s</sub>	kPa	1250	3500	1250	1050	600	350									
MC163/ 24 MC163/ 230	t <sup>1)</sup>	s	120					180									
			80*					120*									
	Δp <sub>s</sub>	kPa	2400	4000	2400	2050	1250	750	450	300							
MC253/ 24 MC253/ 230	t <sup>1)</sup>	s	100					150					250				
			50*					75*					125*				
	Δp <sub>s</sub>	kPa	4000	4000	4000	3500	2200	1400	850	540	350	200					
MC403/ 24 MC403/ 230	t <sup>1)</sup>	s	15					20					30				
			10*					15*					20*				
	Δp <sub>s</sub>	kPa	4000	4000	4000	4000	3700	2400	1500	950	650	400	200	130			
MC503/ 24 MC503/ 230	t <sup>1)</sup>	s	100					150					250				
			50*					75*					125*				
	Δp <sub>s</sub>	kPa	4000	4000	4000	4000	4000	3150	1950	1250	850	500	290	190			
MC1003/ 24	t	s						30					50				
MC1003/ 230	Δp <sub>s</sub>	kPa						2150					1500				
MC1503/ 24	t	s											60				
MC1503/ 230	Δp <sub>s</sub>	kPa											950				
													120				
													160				
													950				
													700				
													370				
													220				
													150				

100 kPa = 1 bar = 10 mWS  
Δp<sub>s</sub>: Closing pressure

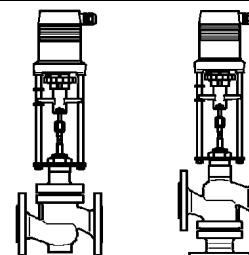
<sup>1)</sup> Actuating time freely adjustable, presetting is marked with \*  
<sup>L)</sup> Available with perforated plug  
<sup>S)</sup> Special-kvs-value

# Control valves with electric actuators up to 350°C

PN 16-40 **2.3.1**

Flanged connection  
 PN 16 – 40  
 Cast iron  
 Spheroidal graphite  
 Cast steel  
 Stainless steel

with electric actuators  
 MC103/24 • MC103/230  
 MC163/24 • MC163/230  
 MC253/24 • MC253/230  
 MC403/24 • MC403/230  
 MC503/24 • MC503/230  
 MC1003/24 • MC1003/230  
 MC1503/24 • MC1503/230  
 MH2503



**BR216**  
**BR225**  
**BR240S**  
**BR240E**

**BR316**  
**BR325**  
**BR340S**  
**BR340E**

## PN 40 BR240S / BR240E

DN			125	150	200	250	300
kvs-value	m <sup>3</sup> /h		250	400	630	1000	1250
			200 <sup>S</sup>	315 <sup>S</sup>	500 <sup>S</sup>	800	1000
			160	250	400	630	800
			125 <sup>S/L</sup>	200 <sup>S/L</sup>	315 <sup>S/L</sup>	500 <sup>L</sup>	630 <sup>L</sup>
Stroke		mm	60			100	
MH2503/ 230	t	s	30			50	
	Δp <sub>s</sub>	kPa	1800	1250	690	440	300

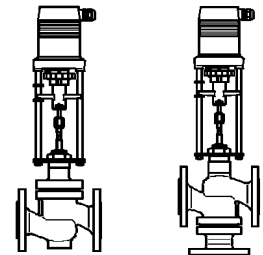
100 kPa = 1 bar = 10 mWS  
 Δp<sub>s</sub>: Closing pressure

<sup>L)</sup> Available with perforated plug  
<sup>S)</sup> Special-kvs-value

# Control valves with electric actuators up to 350°C

PN 16-40 **2.3.1**

Flanged connection	with electric actuators
PN 16 – 40	MC103/24 • MC103/230
Cast iron	MC163/24 • MC163/230
Spheroidal graphite	MC253/24 • MC253/230
Cast steel	MC403/24 • MC403/230
Stainless steel	MC503/24 • MC503/230
	MC1003/24 • MC1003/230
	MC1503/24 • MC1503/230
	MH2503



**BR216**  
**BR225**  
**BR240S**  
**BR240E**

**BR316**  
**BR325**  
**BR340S**  
**BR340E**

## PN 40 R340S / BR340E

DN	15	20	25	32	40	50	65	80	100	125	150	200	250	300		
kvs-value	4	6.3	10	16	25	40	63	100	160	250	400	630	1000	1250		
	2.5	5	8	12.5	20	31.5	50	80	125	200	315	500	800	1000		
		4 <sup>s</sup>	6.3 <sup>s</sup>	10 <sup>s</sup>	16 <sup>s</sup>	25 <sup>s</sup>	40 <sup>s</sup>	63 <sup>s</sup>	100 <sup>s</sup>	160 <sup>s</sup>	250 <sup>s</sup>	400 <sup>s</sup>	630	800		
		2.5 <sup>s</sup>	5 <sup>s</sup>	8 <sup>s</sup>	12.5 <sup>s</sup>	20 <sup>s</sup>	31.5 <sup>s</sup>	50 <sup>s</sup>	80 <sup>s</sup>	125 <sup>s</sup>	200 <sup>s</sup>	315 <sup>s</sup>	500	630		
Stroke	mm	20				30			50		60			80		
MC103/24 MC103/230	t <sup>1)</sup>	s	240													
			180													
	80*															
	40															
Δp <sub>s</sub>	kPa	1250	1250	1050	600	350										
MC163/24 MC163/230	t <sup>1)</sup>	s	120				180									
			80*				120*									
Δp <sub>s</sub>	kPa	2400	2400	2050	1250	750	450	300								
MC253/24 MC253/230	t <sup>1)</sup>	s	100				150			250						
			50*				75*			125*						
Δp <sub>s</sub>	kPa	4000	4000	3500	2200	1400	850	540	350	200						
MC403/24 MC403/230	t <sup>1)</sup>	s	15				20			30		40				
			10*				15*			20*		25*				
Δp <sub>s</sub>	kPa	4000	4000	4000	3700	2400	1500	950	650	400	200	130				
MC503/24 MC503/230	t <sup>1)</sup>	s	100				150			250		300				
			50*				75*			125*		150*				
Δp <sub>s</sub>	kPa	4000	4000	4000	4000	3150	1950	1250	850	500	290	190				
MC1003/24	t	s					30			50		60			80	
MC1003/230	Δp <sub>s</sub>	kPa					2150			1500	950	500	350	200	100	
MC1503/24	t	s										120			160	
MC1503/230	Δp <sub>s</sub>	kPa										950	700	370	220	150

100 kPa = 1 bar = 10 mWS  
Δp<sub>s</sub>: Closing pressure

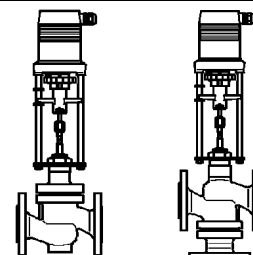
<sup>1)</sup> Actuating time freely adjustable, presetting is marked with \*  
<sup>s)</sup> Special-kvs-value

# Control valves with electric actuators up to 350°C

PN 16-40 **2.3.1**

Flanged connection  
 PN 16 – 40  
 Cast iron  
 Spheroidal graphite  
 Cast steel  
 Stainless steel

with electric actuators  
 MC103/24 • MC103/230  
 MC163/24 • MC163/230  
 MC253/24 • MC253/230  
 MC403/24 • MC403/230  
 MC503/24 • MC503/230  
 MC1003/24 • MC1003/230  
 MC1503/24 • MC1503/230  
 MH2503



**BR216**  
**BR225**  
**BR240S**  
**BR240E**

**BR316**  
**BR325**  
**BR340S**  
**BR340E**

## PN 40 BR340S / BR340E

DN			125	150	200	250	300
kvs-value	m <sup>3</sup> /h		250	400	630	1000	1250
			200	315	500	800	1000
			160 <sup>s</sup>	250 <sup>s</sup>	400 <sup>s</sup>	630	800
			125 <sup>s</sup>	200 <sup>s</sup>	315 <sup>s</sup>	500	630
Stroke		mm	60			100	
MH	t	s	30			50	
	230	Δp <sub>s</sub>	kPa	1800	1250	690	440

100 kPa = 1 bar = 10 mWS  
 Δp<sub>s</sub>: Closing pressure

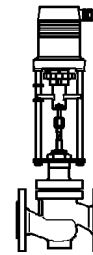
<sup>s)</sup> Special-kvs-value

# Control valves with electric actuators up to 350°C

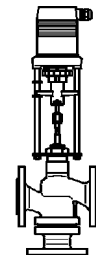
PN 16-40 **2.3.1**

Flanged connection  
 PN 16 – 40  
 Cast iron  
 Spheroidal graphite  
 Cast steel  
 Stainless steel

with electric actuators  
 MC103/24 • MC103/230  
 MC163/24 • MC163/230  
 MC253/24 • MC253/230  
 MC403/24 • MC403/230  
 MC503/24 • MC503/230  
 MC1003/24 • MC1003/230  
 MC1503/24 • MC1503/230  
 MH2503

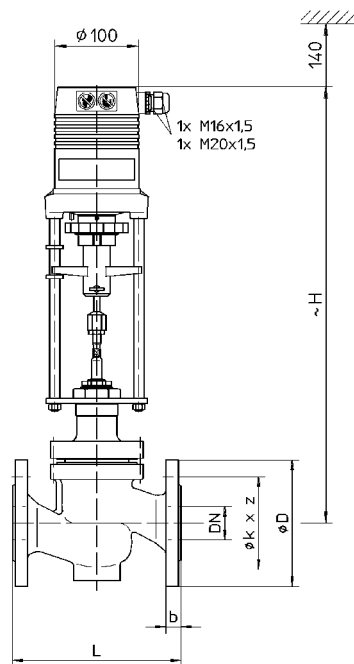


**BR216**  
**BR225**  
**BR240S**  
**BR240E**

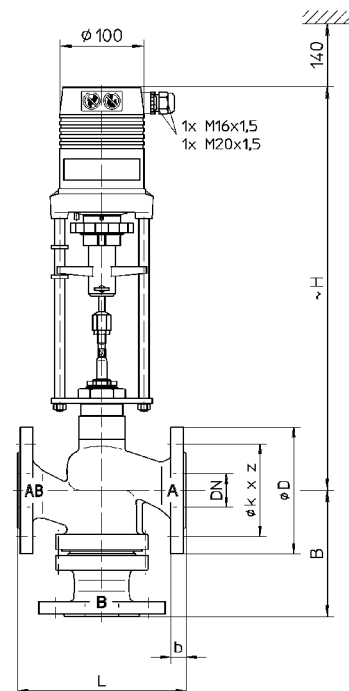


**BR316**  
**BR325**  
**BR340S**  
**BR340E**

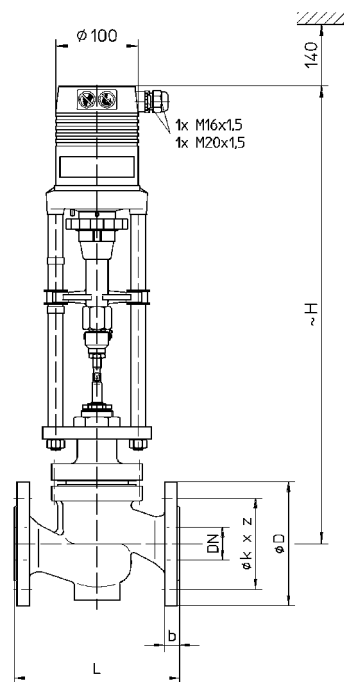
## Drawing



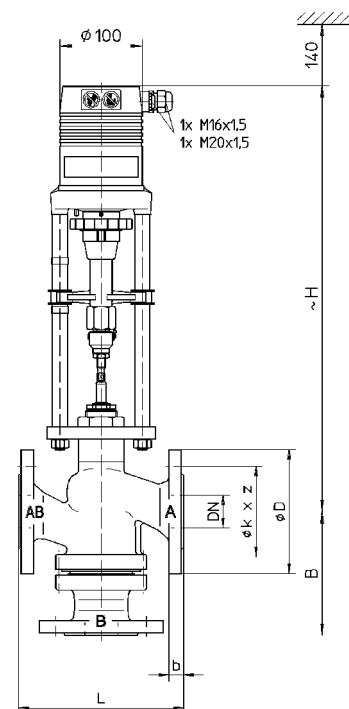
BR2... MC103



BR3... MC103



BR2... MC163



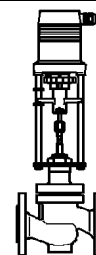
BR3... MC163

# Control valves with electric actuators up to 350°C

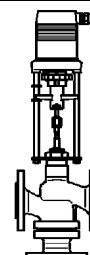
PN 16-40 **2.3.1**

Flanged connection  
 PN 16 – 40  
 Cast iron  
 Spheroidal graphite  
 Cast steel  
 Stainless steel

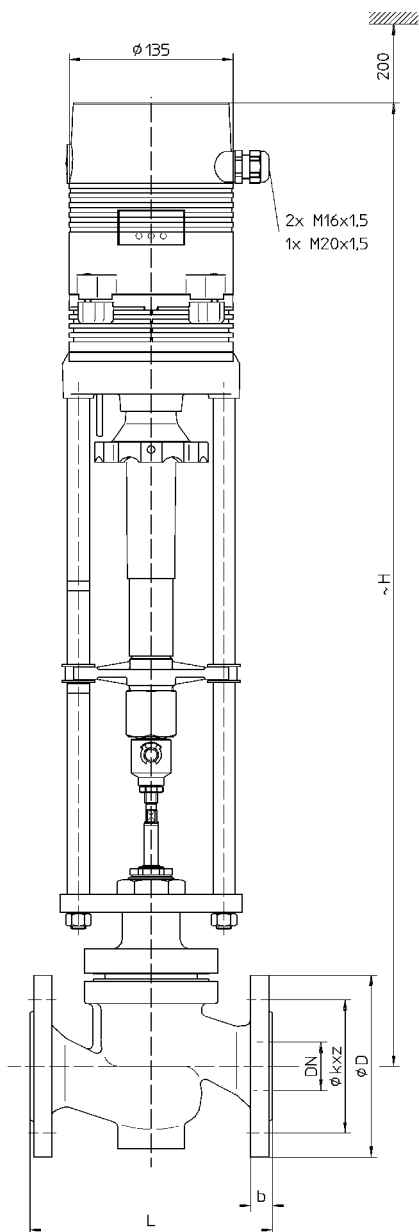
with electric actuators  
 MC103/24 • MC103/230  
 MC163/24 • MC163/230  
 MC253/24 • MC253/230  
 MC403/24 • MC403/230  
 MC503/24 • MC503/230  
 MC1003/24 • MC1003/230  
 MC1503/24 • MC1503/230  
 MH2503



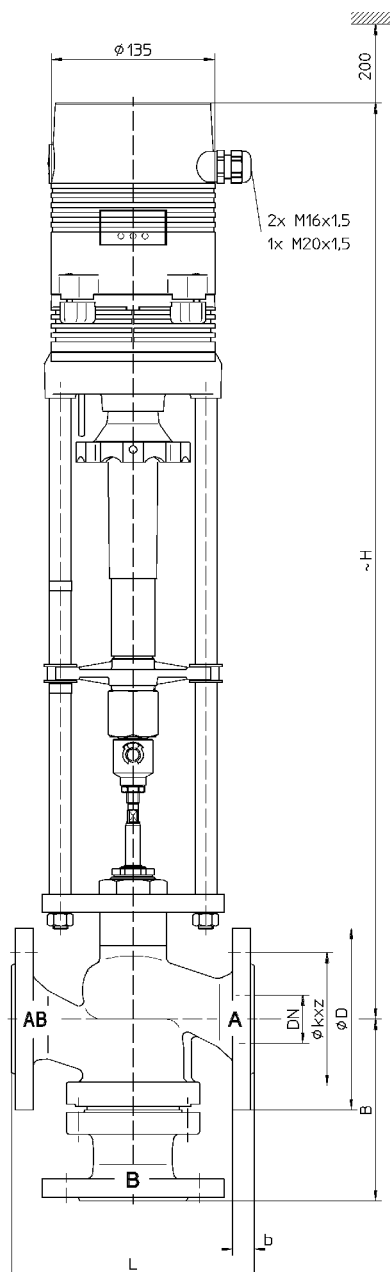
BR216  
 BR225  
 BR240S  
 BR240E



BR316  
 BR325  
 BR340S  
 BR340E



BR2... MC253  
 MC403  
 MC503  
 MC1003  
 MC1503



BR3... MC253  
 MC403  
 MC503  
 MC1003  
 MC1503

05/05/2015 Data subject to change without notice

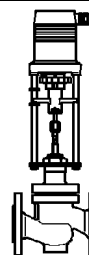


# Control valves with electric actuators up to 350°C

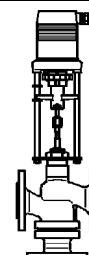
PN 16-40 **2.3.1**

Flanged connection  
 PN 16 – 40  
 Cast iron  
 Spheroidal graphite  
 Cast steel  
 Stainless steel

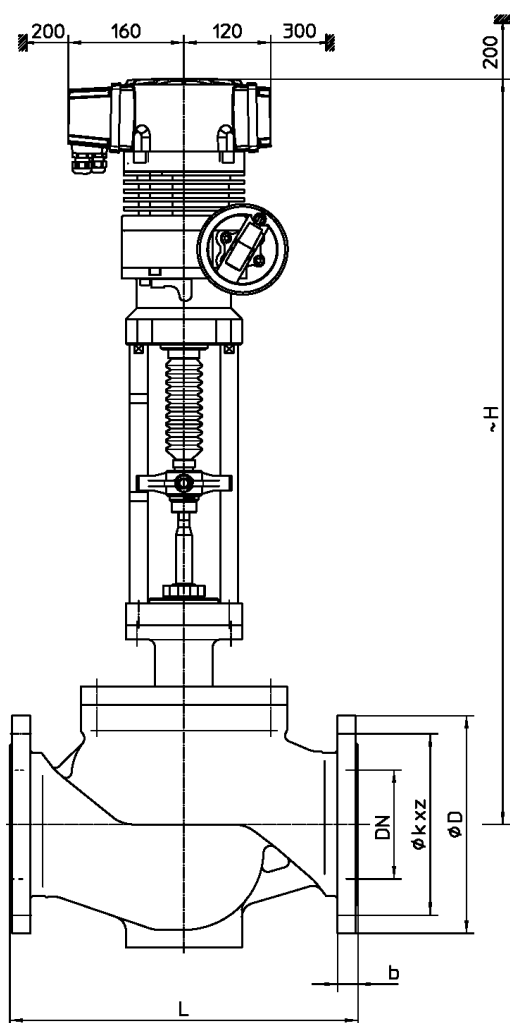
with electric actuators  
 MC103/24 • MC103/230  
 MC163/24 • MC163/230  
 MC253/24 • MC253/230  
 MC403/24 • MC403/230  
 MC503/24 • MC503/230  
 MC1003/24 • MC1003/230  
 MC1503/24 • MC1503/230  
 MH2503



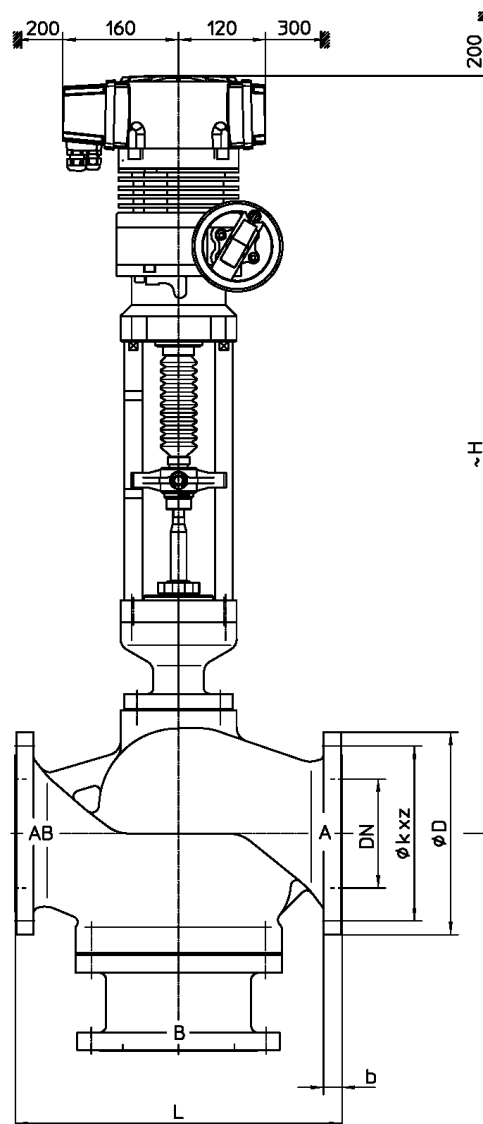
BR216  
 BR225  
 BR240S  
 BR240E



BR316  
 BR325  
 BR340S  
 BR340E



BR2... MH2503



BR3... MH2503

Installation instruction:

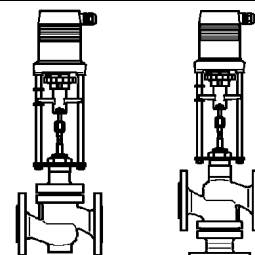
Valve trim could be damaged by dirt in the pipe system. Therefore we recommend the installation of strainers.

# Control valves with electric actuators up to 350°C

PN 16-40 **2.3.1**

Flanged connection  
 PN 16 – 40  
 Cast iron  
 Spheroidal graphite  
 Cast steel  
 Stainless steel

with electric actuators  
 MC103/24 • MC103/230  
 MC163/24 • MC163/230  
 MC253/24 • MC253/230  
 MC403/24 • MC403/230  
 MC503/24 • MC503/230  
 MC1003/24 • MC1003/230  
 MC1503/24 • MC1503/230  
 MH2503



**BR216**  
**BR225**  
**BR240S**  
**BR240E**

**BR316**  
**BR325**  
**BR340S**  
**BR340E**

## Dimension

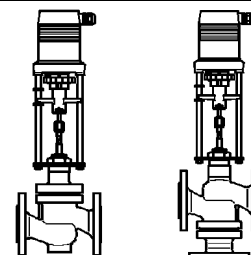
### BR216/BR316 and BR225/BR325

DN		15	20	25	32	40	50	65	80	100	125	150	200 <sup>1)</sup>	250 <sup>1)</sup>	300 <sup>1)</sup>	
L	mm	130	150	160	180	200	230	290	310	350	400	480	600	730	850	
B	mm	130	130	130	150	150	160	170	215	215	260	280	400	450	550	
PN 16	∅ D	mm	95	105	115	140	150	165	185	200	220	250	285	340	405	460
	∅ k	mm	65	75	85	100	110	125	145	160	180	210	240	295	355	410
	z	mm	4x ∅14			4x ∅18				8x ∅18			8x ∅22	12x ∅22	12x ∅26	
	b	mm	16	16	18	18	18	20	20	20	22	24	24	30	32	32
PN 25	∅ D	mm	95	105	115	140	150	165	185	200	235	270	300			
	∅ k	mm	65	75	85	100	110	125	145	160	190	220	250			
	z	mm	4x ∅14			4x ∅18				8x ∅18	8x ∅22	8x ∅26				
	b	mm	16	16	18	18	18	20	20	20	22	24	24			
MC103 24 VAC	BR2...	mm	500	500	500	515	515									
	BR3...	mm	460	460	465	475	475									
MC103 230 VAC	BR2...	mm	525	525	525	540	540									
	BR3...	mm	485	485	490	500	500									
MC163 24 VAC	BR2...	mm	552	537	537	567	567	577	587							
	BR3...	mm	512	512	517	527	527	537	552							
MC163 230 VAC	BR2...	mm	577	577	577	592	592	602	612							
	BR3...	mm	537	537	542	552	552	562	577							
H MC253	BR2...	mm	725	725	725	740	740	750	760	860	905					
	BR3...	mm	685	685	690	700	700	710	725	840	870					
MC403	BR2...	mm	775	775	775	790	790	800	810	905	950	975	1000			
	BR3...	mm	735	735	740	750	750	760	775	885	915	920	940			
MC503	BR2...	mm	725	725	725	740	740	750	760	860	905	930	955			
	BR3...	mm	685	685	690	700	700	710	725	840	870	875	895			
MC1003	BR2...	mm							935	950	995	1020	1045	1150	1210	
	BR3...	mm							900	930	960	965	985	1100	1155	
MC1503	BR2...	mm										1020	1045	1150	1210	1270
	BR3...	mm										965	985	1100	1155	1210
MH2503	BR2...	mm										924	949	1064	1269	1329
	BR3...	mm										924	944	1119	1204	1249

<sup>1)</sup> PN 16

Flanged connection  
 PN 16 – 40  
 Cast iron  
 Spheroidal graphite  
 Cast steel  
 Stainless steel

with electric actuators  
 MC103/24 • MC103/230  
 MC163/24 • MC163/230  
 MC253/24 • MC253/230  
 MC403/24 • MC403/230  
 MC503/24 • MC503/230  
 MC1003/24 • MC1003/230  
 MC1503/24 • MC1503/230  
 MH2503



**BR216  
 BR225  
 BR240S  
 BR240E**

**BR316  
 BR325  
 BR340S  
 BR340E**

## BR240S / BR340S and BR240E / BR340E

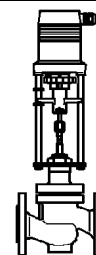
DN		15	20	25	32	40	50	65	80	100	125	150	200	250	300			
L	mm	130	150	160	180	200	230	290	310	350	400	480	600	730	850			
B	mm	130	130	130	150	150	160	170	215	215	260	280	400	450	550			
PN 16	∅ D	mm	95	105	115	140	150	165	185	200	220	250	285	340	405	460		
	∅ k	mm	65	75	85	100	110	125	145	160	180	210	240	295	355	410		
	z	mm	4x ∅14			4x ∅18				8x ∅18			8x ∅22	12x ∅22	12x ∅26			
	b	mm	16	18	18	18	18	20	18	20	20	22	22	24	26	28		
PN 25	∅ D	mm	95	105	115	140	150	165	185	200	235	270	300	360	425	485		
	∅ k	mm	65	75	85	100	110	125	145	160	190	220	250	310	370	430		
	z	mm	4x ∅14			4x ∅18				8x ∅18	8x ∅22	8x ∅26		12x ∅26	12x ∅30	16x ∅30		
	b	mm	16	18	18	18	18	20	22	24	24	26	28	30	32	34		
PN 40	∅ D	mm	95	105	115	140	150	165	185	200	235	270	300	375	450	515		
	∅ k	mm	65	75	85	100	110	125	145	160	190	220	250	320	385	450		
	z	mm	4x ∅14			4x ∅18				8x ∅18	8x ∅22	8x ∅26		12x ∅30	12x ∅33	16x ∅33		
	b	mm	16	18	18	18	18	20	22	24	24	26	28	34	38	42		
MC103 24 VAC	BR2...	mm	500	500	500	515	515											
	BR3...	mm	460	460	465	475	475											
MC103 230 VAC	BR2...	mm	525	525	525	540	540											
	BR3...	mm	485	485	490	500	500											
MC163 24 VAC	BR2...	mm	552	537	537	567	567	577	587									
	BR3...	mm	512	512	517	527	527	537	552									
MC163 230 VAC	BR2...	mm	577	577	577	592	592	602	612									
	BR3...	mm	537	537	542	552	552	562	577									
MC253	BR2...	mm	725	725	725	740	740	750	760	860	905							
	BR3...	mm	685	685	690	700	700	710	725	840	870							
H MC403	BR2...	mm	775	775	775	790	800	800	810	905	950	975	1000					
	BR3...	mm	735	735	740	750	750	760	775	885	915	920	940					
MC503	BR2...	mm	725	725	725	740	740	750	760	860	905	930	955					
	BR3...	mm	685	685	690	700	700	710	725	840	870	875	895					
MC1003	BR2...	mm								935	950	995	1020	1045	1150	1210		
	BR3...	mm								900	930	960	965	985	1100	1155		
MC1503	BR2...	mm											1020	1045	1150	1210	1270	
	BR3...	mm											965	985	1100	1155	1210	
MH2503	BR2...	mm												924	949	1064	1269	1329
	BR3...	mm												924	944	1119	1204	1249

# Control valves with electric actuators up to 350°C

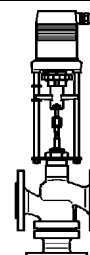
PN 16-40 **2.3.1**

Flanged connection  
 PN 16 – 40  
 Cast iron  
 Spheroidal graphite  
 Cast steel  
 Stainless steel

with electric actuators  
 MC103/24 • MC103/230  
 MC163/24 • MC163/230  
 MC253/24 • MC253/230  
 MC403/24 • MC403/230  
 MC503/24 • MC503/230  
 MC1003/24 • MC1003/230  
 MC1503/24 • MC1503/230  
 MH2503



**BR216**  
**BR225**  
**BR240S**  
**BR240E**



**BR316**  
**BR325**  
**BR340S**  
**BR340E**

## Weight

### PN 16 / PN 25

DN			15	20	25	32	40	50	65	80	100	125	150	200	250	300
MC103	BR2...	kg	7	9	10	11	14									
	BR3...	kg	8	9	11	13	15									
MC163	BR2...	kg	8	10	11	12	15	17	21							
	BR3...	kg	9	10	12	14	16	20	24							
MC253 24 VAC	BR2...	kg	12	14	15	16	19	21	25	38	50					
	BR3...	kg	13	15	16	18	20	24	28	42	53					
MC253 230 VAC	BR2...	kg	13	15	16	17	20	22	26	39	51					
	BR3...	kg	14	16	17	19	21	25	29	43	54					
MC403	BR2...	kg	14	16	17	18	21	23	27	40	52	71	103			
	BR3...	kg	15	17	18	20	22	26	30	44	55	83	114			
MC503 24 VAC	BR2...	kg	12	14	15	16	19	21	25	38	50	69	101			
	BR3...	kg	13	15	16	18	20	24	28	42	53	81	112			
MC503 230 VAC	BR2...	kg	13	15	16	17	20	22	26	39	51	70	102			
	BR3...	kg	14	16	17	19	21	25	29	43	54	82	113			
MC1003	BR2...	kg							29	42	54	73	105	242	302	
	BR3...	kg							32	46	57	85	116	282	347	
MC1503	BR2...	kg										73	105	242	302	392
	BR3...	kg										85	116	282	347	452
MH2503	BR2...	kg										85	117	254	314	404
	BR3...	kg										97	128	294	359	464

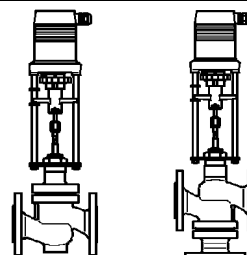
05/05/2015 Data subject to change without notice

# Control valves with electric actuators up to 350°C

PN 16-40 **2.3.1**

Flanged connection  
 PN 16 – 40  
 Cast iron  
 Spheroidal graphite  
 Cast steel  
 Stainless steel

with electric actuators  
 MC103/24 • MC103/230  
 MC163/24 • MC163/230  
 MC253/24 • MC253/230  
 MC403/24 • MC403/230  
 MC503/24 • MC503/230  
 MC1003/24 • MC1003/230  
 MC1503/24 • MC1503/230  
 MH2503



**BR216**  
**BR225**  
**BR240S**  
**BR240E**

**BR316**  
**BR325**  
**BR340S**  
**BR340E**

## PN 40

DN			15	20	25	32	40	50	65	80	100	125	150	200	250	300
MC103	BR2...	kg	10	11	13	16	17									
	BR3...	kg	11	12	14	19	20									
MC163	BR2...	kg	11	12	14	17	18	23	31							
	BR3...	kg	12	13	15	20	21	26	37							
MC253 24 VAC	BR2...	kg	15	16	18	21	22	27	38	46	61					
	BR3...	kg	16	17	19	24	25	30	41	53	66					
MC253 230 VAC	BR2...	kg	16	17	19	22	23	28	36	47	62					
	BR3...	kg	17	18	20	25	26	31	42	54	67					
MC403	BR2...	kg	17	18	20	23	24	29	40	48	63	77	112			
	BR3...	kg	18	19	21	26	27	32	43	55	68	89	131			
MC503 24 VAC	BR2...	kg	15	16	18	21	22	27	38	46	61	75	110			
	BR3...	kg	16	17	19	24	25	30	41	53	66	87	129			
MC503 230 VAC	BR2...	kg	16	17	19	22	23	28	36	47	62	77	111			
	BR3...	kg	17	18	20	25	26	31	42	54	67	88	130			
MC1003	BR2...	kg							42	50	65	79	114	272	367	
	BR3...	kg							45	57	70	91	133	312	427	
MC1503	BR2...	kg										79	114	272	367	472
	BR3...	kg										91	133	312	427	552
MH2503	BR2...	kg										91	126	284	379	484
	BR3...	kg										103	145	324	439	564

m