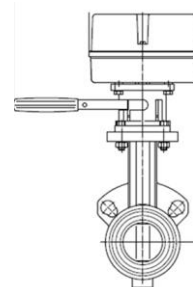


Fully lugged type	with electric quarter-turn actuators
PN 6-16	M130
Cast iron GG25 with polyester-powder coating	M140
	M180



BR 12WT

Features

- HVAC, sanitary and raw water plants as shut-off element for water -10...+110°C
- Leakage rate: tight sealing
- Control and shut-off butterfly valves for open and closed circuits
- Centralised flap
- Gear disengagement feature
- Manual override on adapter
- Rotation direction indication

Technical data butterfly valve

Series	BR12 WT
Diameter nominal	DN 25 – DN 200
Pressure rating	PN 6-16
Body	Cast iron GG25 EN-JL1040 with polyester-powder coating
Seat ring	EPDM
Flap	DN25 – DN40: Stainless steel 1.4408 DN50 – DN400: SG iron GGG40 EN-JS1030 with Nylon11 coating
Shaft	CrNi-steel 1.4405
Shaft sealing	EPDM

Media: Chilled-, hot- and industrial water, water with antifreeze and anticorrosive compounds (appr. 50%): glycol, glycerine, ethylene glycol, propylene glycol, mono ethylene, ethanol, methyl alcohol, antifrogen® N+L

Flow direction: optionally from both side

Connection type: Fully lugged type PN 6-16

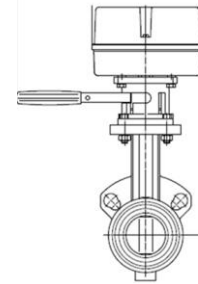
Face to face dimension: Acc. EN 558-1 basic series 20

Leakage rate: EN 1349 – seat-leakage VI G1 (tight sealing)

Butterfly valve variant and accessories

- technical silicon free version (DN 25 – DN 200)

Fully lugged type with electric quarter-turn actuators
 PN 6-16 M130
 Cast iron GG25 with polyester-powder coating M140
 M180



BR 12WT

Technical data actuator M130

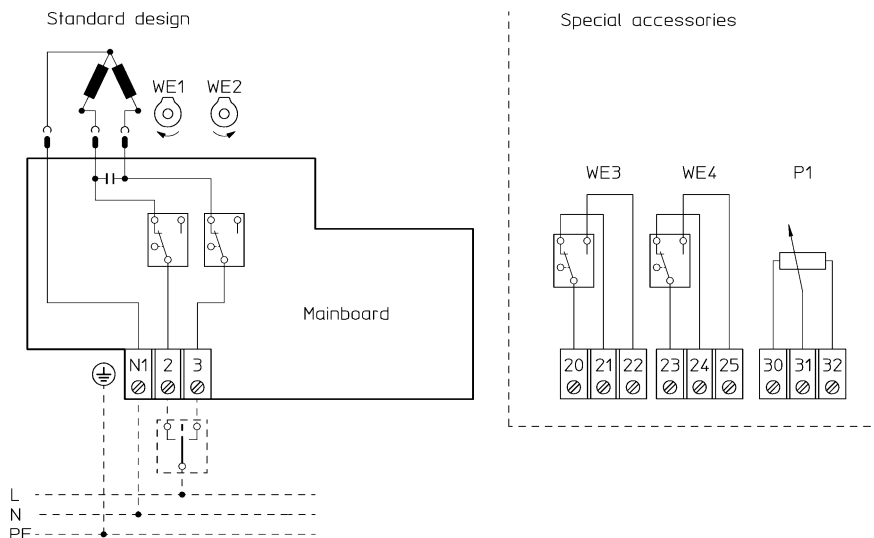
Type		M130
Actuating time at 50 Hz /90° ¹⁾	s	130
Nominal torque	Nm	35
Power supply	VAC	230 +6% -10%
Frequency	Hz	50 or 60 ±5%
Power consumption	VA	6.5
Input signal ²⁾		3-point

Enclosure protection: IP 54
 Operating mode: S1-100% ED c/h 1200 EN 60034-1
 End position switch-off: position dependent adjustable
 Ambient temperature: 0...+50°C
 Weight: 1.2 kg

Actuator variant and accessories

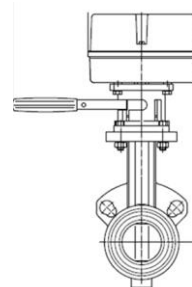
- Voltage: 24 VAC
- Position switch unit: 2 switches (WE3/WE4), potential free, infinitely adjustable
 Rated load: max. 10 A / 250 VAC
- Potentiometer: with attachment
 0.2 / 1 / 10 kOhm 1.5 VA

Circuit diagram



¹⁾ at 60Hz, the operating time is reduced by ~15%

Fully lugged type	with electric quarter-turn actuators
PN 6-16	M130
Cast iron GG25 with polyester-powder coating	M140
	M180



BR 12WT

Technical data actuator M140 – M180

Type		M140
Actuating time at 50 Hz /90° ¹⁾	s	10
Nominal torque	Nm	50
Power supply	VAC	230 +6% -10%
Frequency ¹⁾	Hz	50 or 60 ±5%
Power consumption	VA	55
Input signal		3-point

Type		M180
Actuating time at 50 Hz /90° ¹⁾	s	130
Nominal torque	Nm	80
Power supply	VAC	230 +6% -10%
Frequency	Hz	50 or 60 ±5%
Power consumption	VA	26
Input signal		3-point

Enclosure protection: IP 54

Operating mode: M140 S3-50% ED c/h 1200 EN 60034-1
 M180 S3-60% ED c/h 1200 EN 60034-1

End position switch-off: position dependent adjustable

Ambient temperature: 0...+50°C

Weight: 3.0 kg

Actuator variant and accessories

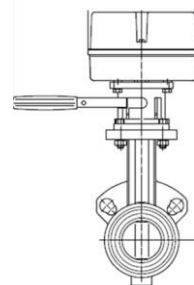
- Voltage: 24 VAC
- Position switch unit: 2 switches (WE3/WE4), potential free, infinitely adjustable
 Rated load: max. 10 A / 250 VAC
- Potentiometer: with attachment
 0.2 / 1 / 10 kOhm 1.5 VA
- Enclosure protection: IP 65
- Heater: -20°C ... +50°C 25 VA
 24, 115, 230 VAC 50/60 Hz

¹⁾at 60Hz, the operating time is reduced by ~15%

Control shut-off butterfly valves DN 25 – DN 200

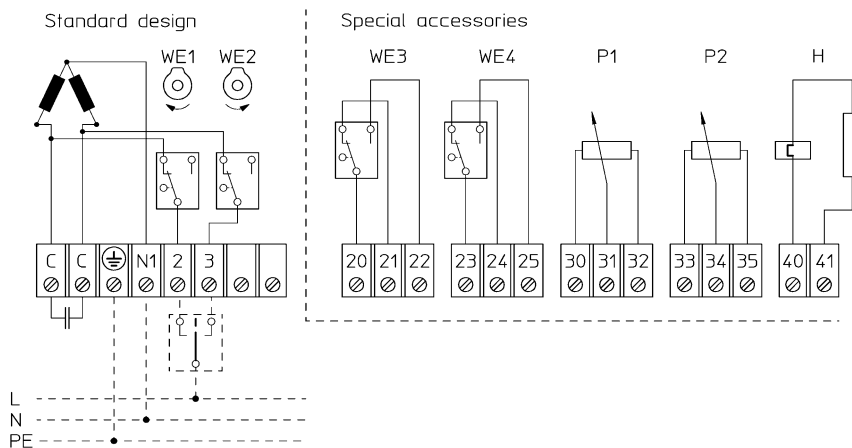
PN 6-16 **4.1.1**

Fully lugged type with electric quarter-turn actuators
 PN 6-16 M130
 Cast iron GG25 with polyester-powder coating M140
 M180



BR 12WT

Circuit diagram



Technical data butterfly valve with actuator

DN	25	32	40	50	65	80	100	125	150	200	
kvs-value	m ³ /h	52	72	126	124	243	397	723	1083	1591	2852
M130	I Actuating time/90° ¹⁾	s									
	Closing pressure	kPa									
M140	I Actuating time/90° ¹⁾	s									
	Closing pressure	kPa									
M180	I Actuating time/90° ¹⁾	s									
	Closing pressure	kPa									

The closing pressure is limited by the nominal pressure.
 100 kPa = 1 bar = 10 mWS

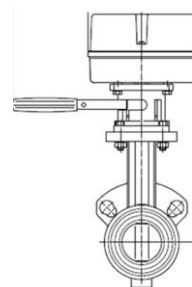
¹⁾ at 60Hz, the operating time is reduced by ~15%

Control shut-off butterfly valves DN 25 – DN 200

PN 6-16 **4.1.1**

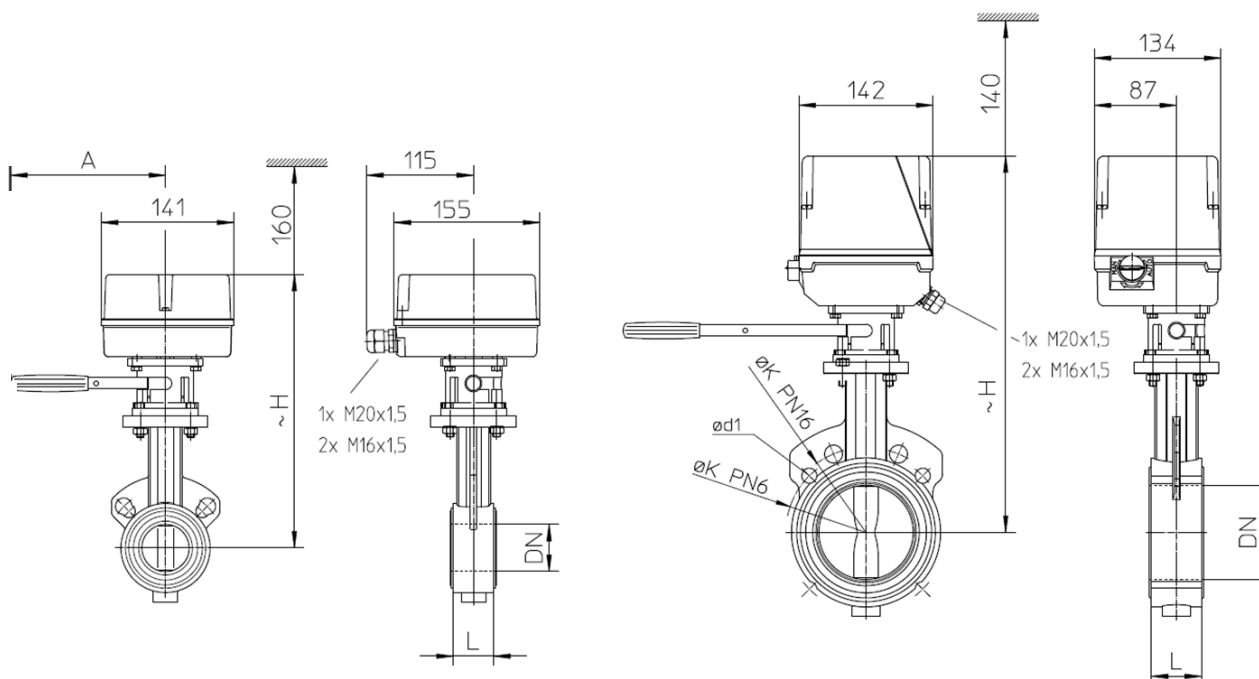
Fully lugged type
PN 6-16
Cast iron GG25 with polyester-
powder coating

with electric quarter-turn actuators
M130
M140
M180



BR 12WT

Drawing



M130

M140
M180

Dimension

DN		25	32	40	50	65	80	100	125	150	200
L	mm	30	32	32	42	45	45	51	55	55	59
A	mm	165	165	165	165	165	165	165	255	255	255
K	PN6	mm	75	90	100	110	130	150	170	200	280
	PN10 / PN16	mm	85	100	110	125	145	160	180	210	295
N x d1	PN6	mm	4xØ10	4xØ12	4xØ12	4xØ12	4xØ12	4xØ16	4xØ16	8xØ16	8xØ16
	PN10 / PN16	mm	4xØ12	4xØ16	4xØ16	4xØ16	4xØ16	8xØ16	8xØ16	8xØ16	8xØ20
H	M130	mm	246	261	261	303	315	322	341	-	-
	M140	mm	318	333	333	375	387	394	413	425	-
	M180	mm	-	-	-	-	-	-	-	425	438
m	M130	kg	5,0	5,0	5,0	5,5	6,0	6,5	7,5	-	-
	M140	kg	6,5	6,5	7,0	7,0	8,0	8,5	9,0	12,5	-
	M180	kg	-	-	-	-	-	-	-	12,5	14,5