

for control shut-off butterfly valves

BR12WT

BR16ZF

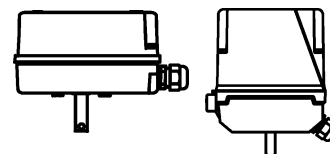
for butterfly valves

BRDR6/16

BRDRP6/16

for threaded mixing valves

BRGMMD/BRGMMV



M130

M140
M180

Features M130

- Specially designed linkages for fitting to other manufacturer's products
- Manual override on adapter
- Gear disengagement feature
- Rotation direction indication
- Cable inlet with traction relief

Technical data M125

Type		M130
Actuating time at 50 Hz /90°	s	130
Nominal torque	Nm	35
Power supply	VAC	230 +6% -10%
Frequency	Hz	50/60 ±5%
Power consumption	VA	6.5
Input signal		3-point

Enclosure protection: IP 54

Operating mode: S1-100% ED c/h 1200 EN 60034-1

End position switch-off: position dependent adjustable

Ambient temperature: 0...+50°C

Weight: 1.2 kg

Actuator variant and accessories M130

- Voltage: 24 VAC
- Position switch unit: 2 switches (WE3/WE4), potential free, infinitely adjustable
Rated load: max. 10 A / 250 VAC
- Potentiometer: with attachment
0.2 / 1 / 10 kOhm 1.5 VA

Electric quarter-turn actuators

35 - 80 Nm **8.2.2**

for control shut-off butterfly valves

BR12WT

BR16ZF

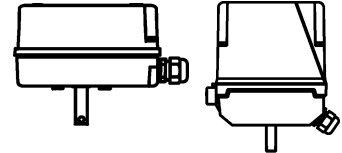
for butterfly valves

BRDR6/16

BRDRP6/16

for threaded mixing valves

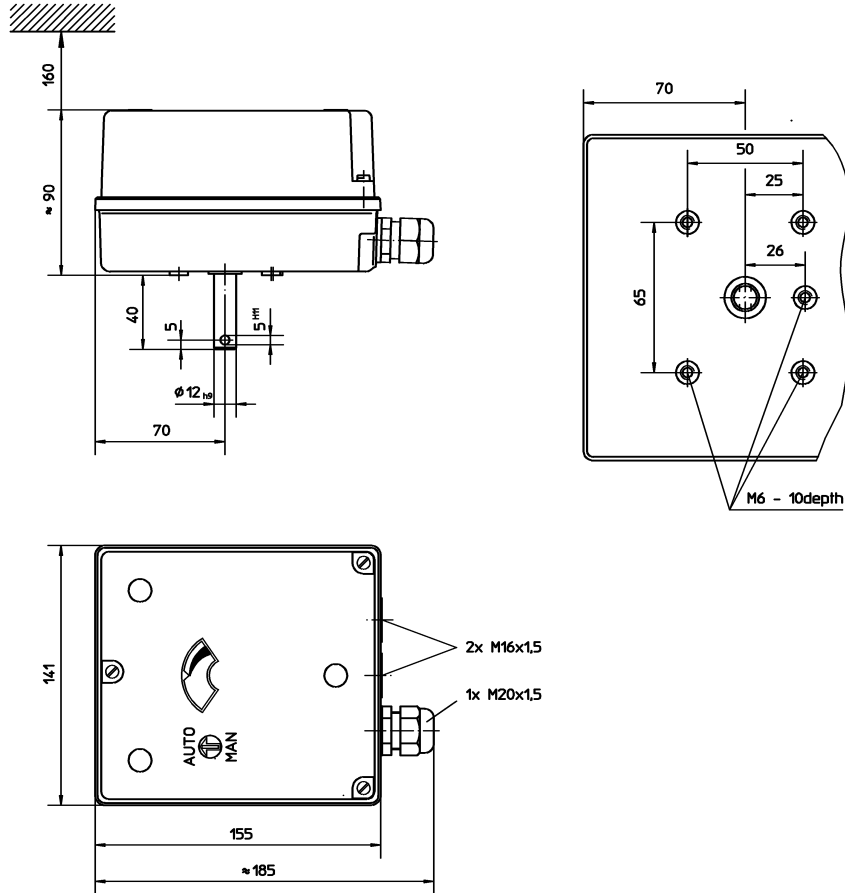
BRGMMD/BRGMMV



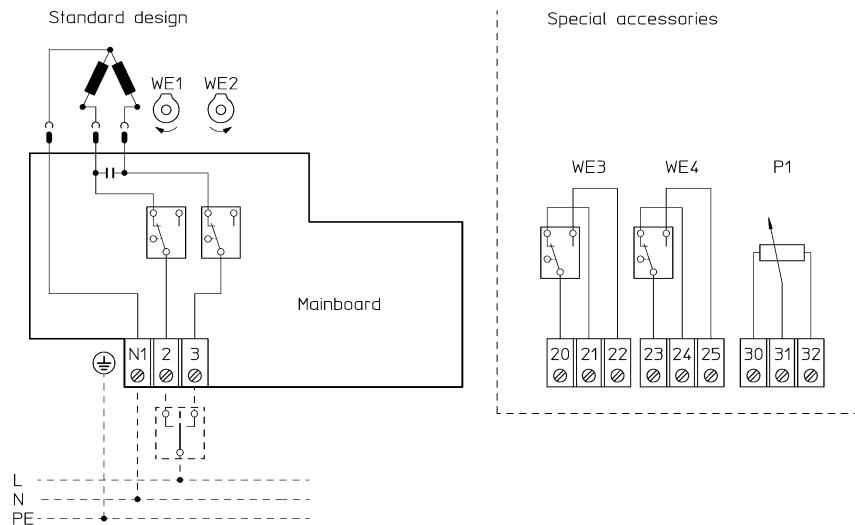
M130

M140
M180

Drawing M130



Circuit diagram M130



for control shut-off butterfly valves

BR12WT

BR16ZF

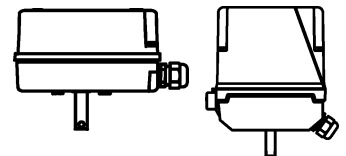
for butterfly valves

BRDR6/16

BRDRP6/16

for threaded mixing valves

BRGMMD/BRGMMV



M130

M140
M180

Features M140/ M180

- Specially designed linkages for fitting to other manufacturer's products
- Manual override on adapter
- Gear disengagement feature
- Rotation direction indication
- Cable inlet with traction relief

Technical data M140/M180

Type		M140
Actuating time at 50 Hz /90° ¹⁾	s	10
Nominal torque	Nm	50
Power supply	VAC	230 +6% -10%
Frequency ¹⁾	Hz	50/60 ±5%
Power consumption	VA	55
Input signal		3-point

Type		M180
Actuating time at 50 Hz /90° ¹⁾	s	130
Nominal torque	Nm	80
Power supply	VAC	230 +6% -10%
Frequency	Hz	50/60 ±5%
Power consumption	VA	26
Input signal		3-point

Enclosure protection: IP 54

Operating mode: M140 S3-50% ED c/h 1200 EN 60034-1
M180 S3-60% ED c/h 1200 EN 60034-1

End position switch-off: position dependent adjustable

Ambient temperature: 0...+50°C

Weight: 3.0 kg

¹⁾ Please state when ordering

Electric quarter-turn actuators

35 - 80 Nm **8.2.2**

for control shut-off butterfly valves

BR12WT

BR16ZF

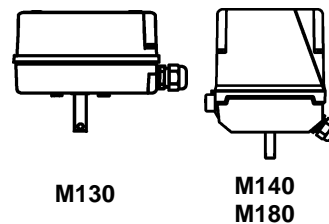
for butterfly valves

BRDR6/16

BRDRP6/16

for threaded mixing valves

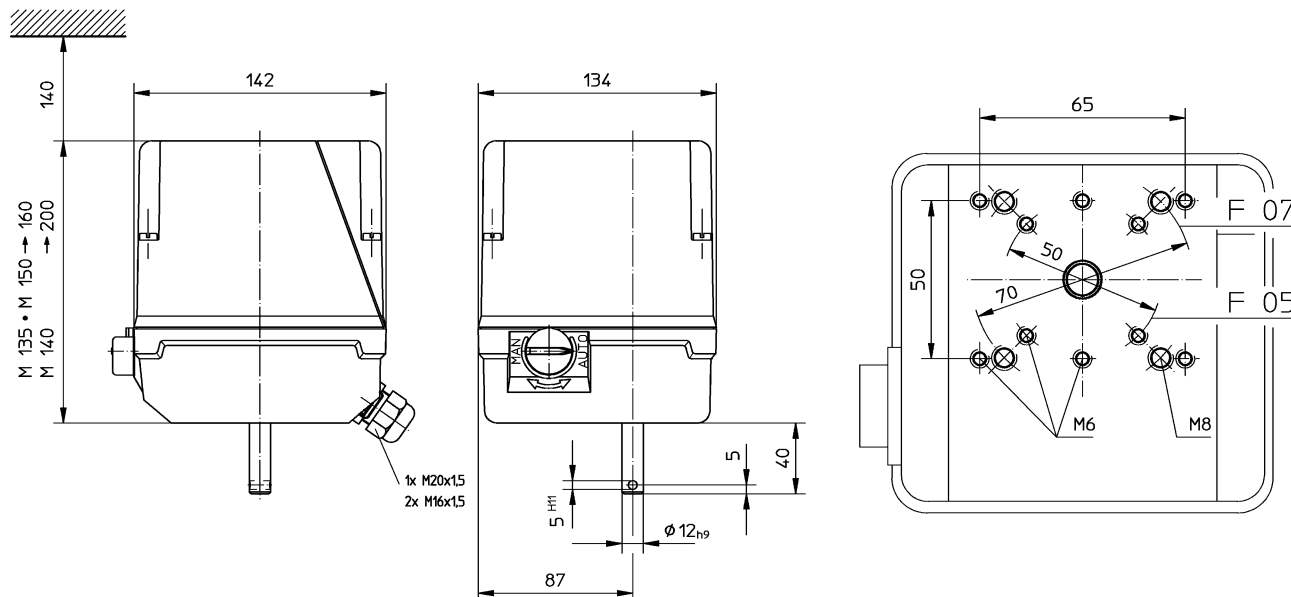
BRGMMD/BRGMMV



Actuator variant and accessories M140/M180

- Voltage: 24 VAC
- Position switch unit: 2 switches (WE3/WE4), potential free, infinitely adjustable
Rated load: max. 10 A / 250 VAC
- Potentiometer: with attachment
0.2 / 1 / 10 kOhm 1.5 VA
- Enclosure protection: IP 65
- Heater: -20°C ... +50°C 25 VA
24, 115, 230 VAC 50/60 Hz

Drawing M140/M150



Electric quarter-turn actuators

35 - 80 Nm **8.2.2**

for control shut-off butterfly valves

BR12WT

BR16ZF

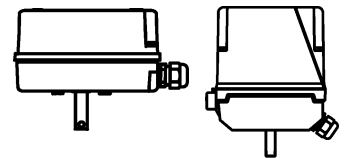
for butterfly valves

BRDR6/16

BRDRP6/16

for threaded mixing valves

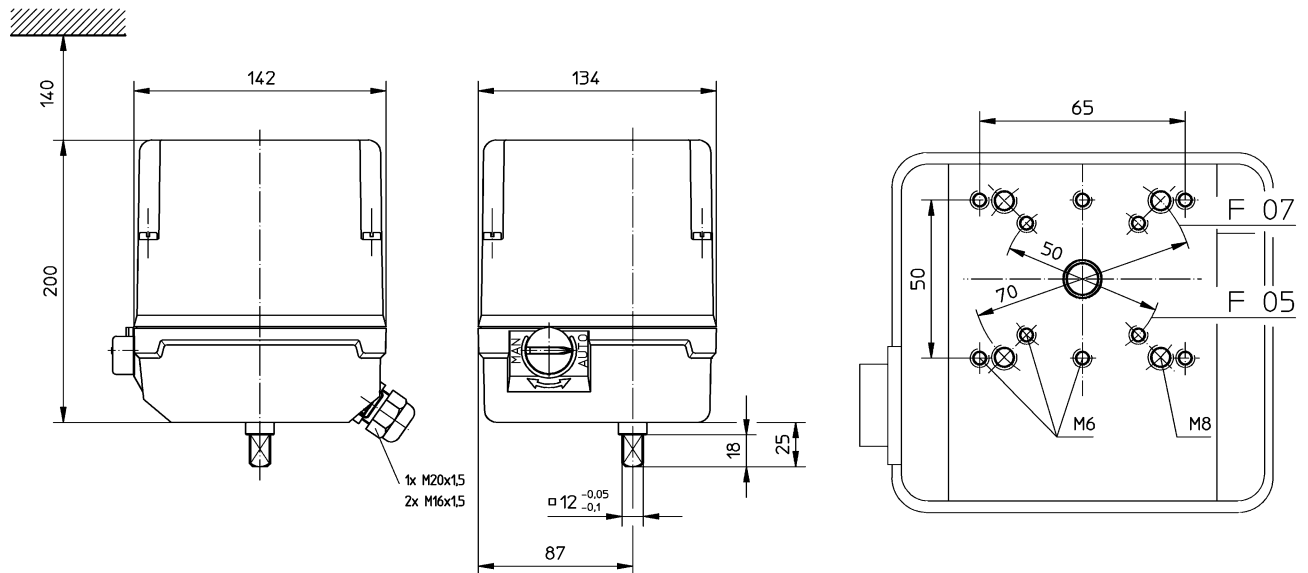
BRGMMD/BRGMMV



M130

M140
M180

Drawing M180



Circuit diagram M140/M180

