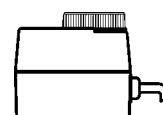


for threaded mixing valves
BRGMMD • BRGMMV



M106

Features

- Specially designed linkages for fitting to other manufacturer's products
- Manual override
- Change over from manual to automatic mode
- Suitable for use as a sub-assembly with isolating jacket
- Rotation direction indication

Technical data

Type		M106
Actuating time at 50 Hz /90°	s	130
Nominal torque	Nm	6
Power supply	VAC	230 +6% -10%
Frequency	Hz	50/60 ±5%
Power consumption	VA	3.5
Input signal		3-point

Enclosure protection: IP 43

Operating mode: S4-50% ED c/h 1200 EN 60034-1

End position switch-off: position dependent adjustable

Ambient temperature: 0...+50°C

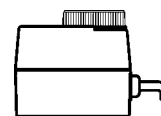
Weight: 0.35 kg

Actuator with 1,5 m cable (flexible), three wire (0.7 mm²) with wire end ferrule

Actuator variant and accessories

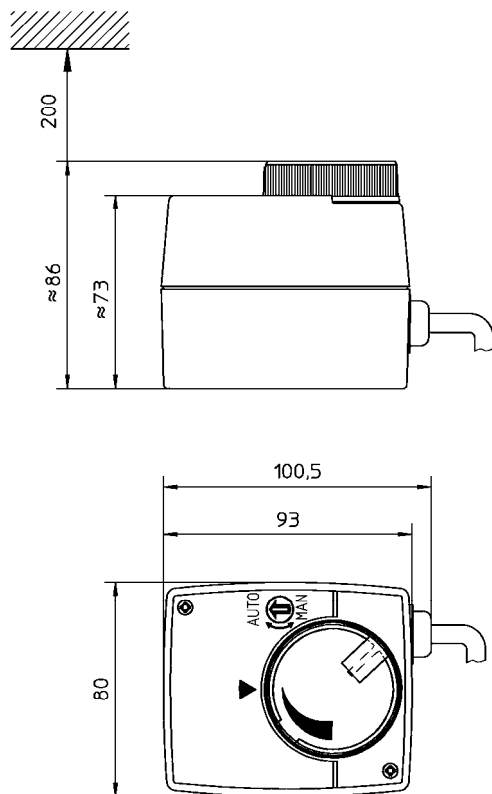
- Voltage 24 VAC

for threaded mixing valves
BRGMMD • BRGMMV



M106

Drawing



Circuit diagram

