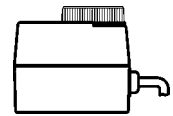


for threaded mixing valves  
BRGMMD • BRGMMV



**MC106Y**

## Features

- Microprocessor controlled with automatic self-calibration on start up
- Wear-free distance measuring system - no potentiometer
- Wire break recognition in 2...10 VDC operation
- Fault recognition in continuous operation (in case of blockage by foreign bodies)
- Specially designed linkages for fitting to other manufacturer's products
- Manual override
- Change over from manual to automatic mode
- Suitable for use as a sub-assembly with isolating jacket
- Rotation direction indication

## Technical data

Type	MC106Y	
Actuating time at 50 Hz/90° <sup>1)</sup>	s	150 · 80*
Nominal torque	Nm	6
Power supply	VAC	24 ±10%
Frequency	Hz	50/60 ±5%
Power consumption	VA	3,0
Input signal <sup>2)</sup>		0(2)...10 VDC 77 kOhm
Output signal <sup>2)</sup>		0...10 VDC max. 8 mA min. 1200 Ohm

Enclosure protection: IP 43

Operating mode: S4-50% ED c/h 1200 EN 60034-1

End position switch-off: position dependent adjustable

Ambient temperature: 0...+50°C

Weight: 0.35 kg

Actuator with 1.5 m cable (flexible), four wire (0.7 mm<sup>2</sup>) with wire end ferrule

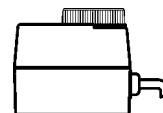
<sup>1)</sup> Actuating time freely adjustable, presetting is marked with \*

<sup>2)</sup> Invertible input and output signal

# Electric quarter-turn actuators

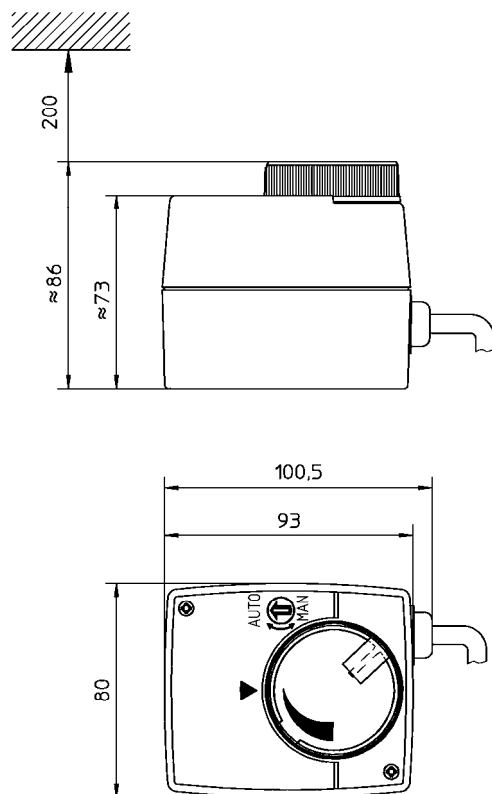
6 Nm **8.1.1**

for threaded mixing valves  
BRGMMD • BRGMMV



MC106Y

## Drawing



## Circuit diagram

