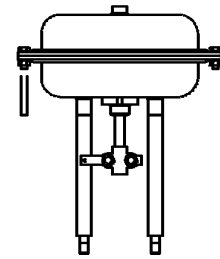


for two-way and three-way valves

- BR216 • BR316
- BR225 • BR325
- BR240S • BR340S
- BR240E • BR340E



- PA-N160
- PA-N300
- PA-N540
- PA-N1080
- PA-N2160

Features

- Actuators with high thrust and short actuation time
- Comply with requirements for explosion proof areas
- Mode of operation: spring opens / air closes or opens
- Mechanical position indication

Technical data actuator

Type		PA-N160	PA-N300		PA-N540			PA-N1080			PA-N2160		
Diaphragm area	cm ²	160	300		540			1080			2160		
Operating pressure, max.	bar	6	6		6			6			6		
Spring range	bar	1.8 – 3.0	1.6-2.4	1.6-2.8	1.7-2.7	1.7-3.3	1.7-3.7	1.5-2.4	1.5-2.7	1.5-3.0	1.5-2.4	1.5-2.7	1.5-3.0
Spring force	kN	2.8	5	5	9	9	9	16	16	16	32	32	32
Stroke	mm	20	20	30	30	50	60	60	80	100	60	80	100
Volume	ltr.	0.5	1.0	1.3	3.7	4.8	5.3	9.9	12.5	14.2	19.8	25.4	28.5
Stroke volume	ltr.	0.3	0.6	0.8	2.2	3.2	3.8	6.5	8.7	10.8	12.9	17.4	21.6
Air connection		NPT ¼	NPT ¼		NPT ½			NPT ¾			NPT ¾		
Weight without handwheel	kg	6	13		43			120			202		
Weight with handwheel	kg	9	16		62			144			235		

Ambient temperature: -40...+80°C

Operating mode: alternatively spring closes / opens

Actuator variant and accessories

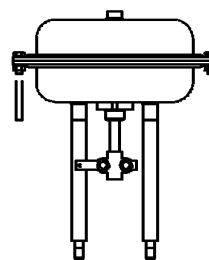
- Manual operating device
- Positioner
 - pneumatic with manometer Type EIP 300
 - pneumatic without manometer Type 2750
 - electro-pneumatic without manometer Type 2750E
 - electro-pneumatic with manometer Type SIPART-PS 2
 - electro-pneumatic with manometer Type SIPART-PS 2-Ex
 - electro-pneumatic with manometer Type SIPART-PS 2
 - electro-pneumatic with manometer Type SIPART-PS 2-Ex
 - with manometer Type EAW 3000
 - with manometer Type EAW 4000
 - G ¼ Type EIL 201 F02
 - G ¼ Type EIL 100 F02
 - G ⅜ Type EIL 100 F03
 - G ¼ or G ½
- Air filter, G ¼
- Air filter, G ½
- Blocking valve
- Booster
- Solenoid valve
 - 3/2 Way, 230 VAC, 50 Hz
 - Solenoid valve G ¼ Type 6014
 - 3/2 Way, 230 VAC or 24 VDC, 50 Hz
 - Quick venting screw G ½ Type 4050306
 - Throttle G ¼ Type ID 106123
 - G ½ Type ID 106124
- Limit switches Type 3 SE 2120-1E 1 or 2 pieces

Pneumatic actuators

2.8 - 32 kN **7.4.1**

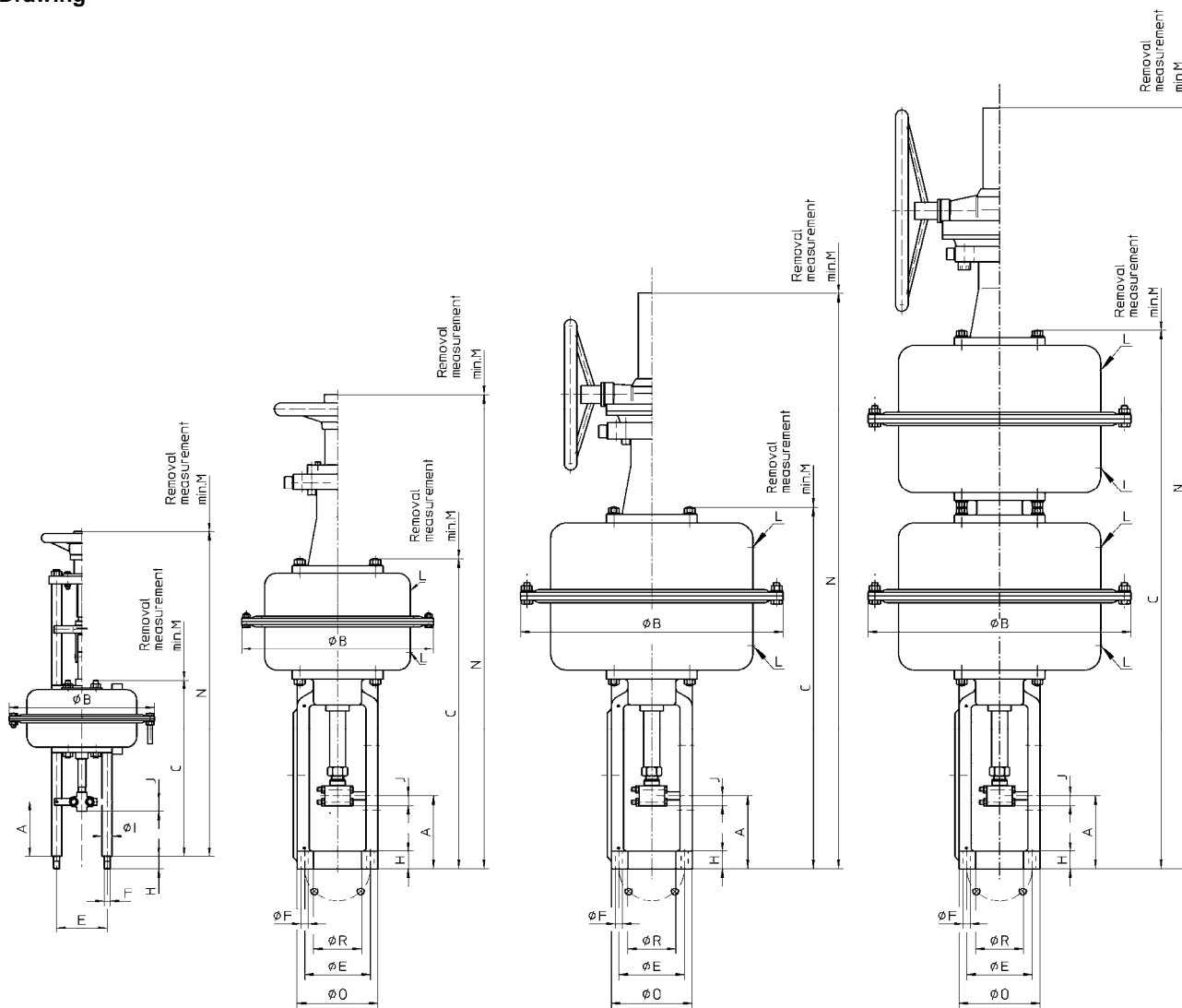
for two-way and three-way valves

- BR216 • BR316
- BR225 • BR325
- BR240S • BR340S
- BR240E • BR340E



- PA-N160
- PA-N300
- PA-N540
- PA-N1080
- PA-N2160

Drawing



PA-N160
PA-N300

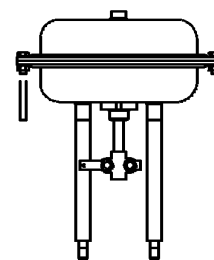
PA-N540

PA-N1080

PA-N2160

for two-way and three-way valves

BR216 • BR316
BR225 • BR325
BR240S • BR340S
BR240E • BR340E



PA-N160
PA-N300
PA-N540
PA-N1080
PA-N2160

Dimension

Type	Working function	A ¹⁾	B	C	E	F	H	J	K	L	M	N	O	R
		mm	mm	mm	mm		mm	mm			mm	mm	mm	mm
PA-N160	Spring close	107	202	291	100	M12	25	19.5	M10	NPT ¼	600	573	130	38
	Spring open	127												
PA-N300	Spring close	107	284	345	100	M12	25	19.5	M10	NPT ¼	600	654	130	38
	Spring open	137												
PA-N540	Spring close	145	380	617	130	14	35	20	14.5 20.5 30	NPT ½	600	948	160	95
	Spring open	205												
PA-N1080	Spring close	145	520	719	130	14	35	20	14.5 20.5 30	NPT ¾	600	1144	160	95
	Spring open	245												
PA-N2160	Spring close	145	520	1071	130	14	35	20	14.5 20.5 30	NPT ¾	600	1513	160	95
	Spring open	245												

I = 20 mm (only PA-N160 and PA-N300)

¹⁾ At spring range beginning

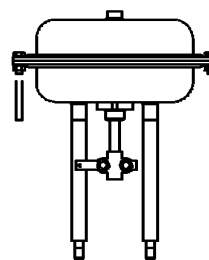
²⁾ min. allowable spindle connection at actuator pressure 6 bar

Pneumatic actuators

2.8 - 32 kN **7.4.1**

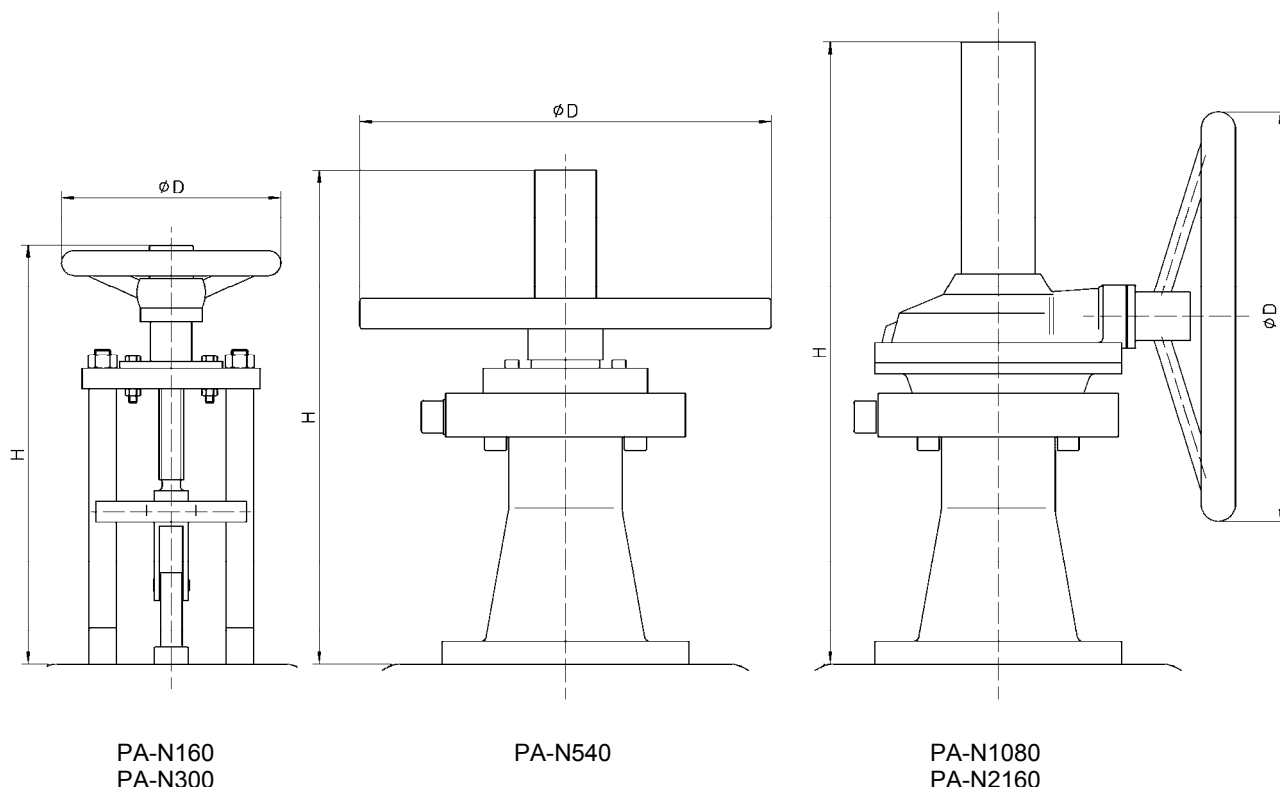
for two-way and three-way valves

- BR216 • BR316
- BR225 • BR325
- BR240S • BR340S
- BR240E • BR340E



- PA-N160
- PA-N300
- PA-N540
- PA-N1080
- PA-N2160

Manual operation



PA-N160
PA-N300

PA-N540

PA-N1080
PA-N2160

Type		PA-N160	PA-N300		PA-N540		PA-N1080		PA-N2160	
Stroke	mm	20	20	30	30	50	60	80	60	80
H	mm	315	315		361		450		450	
D	mm	175	175		300		400		500	
Weight handwheel	kg	3	3		19		24		33	