

with microcontroller
for two-way and three-way valves
BR216 • BR316
BR225 • BR325
BR240S • BR340S
BR240E • BR340E



MC253DL
MC503DL

Features

- Microprocessor controlled
- LED indication of actuator status
- Wear-free distance measuring system – no potentiometer
- Bonnet detachable in four positions, 90° locking, no screws required
- Pull-out manual adjustment with electrical cut-off
- Shockproof at 230 VAC, no protective conductor (PE) necessary

Technical data

Type		MC253DL/24	MC253DL/230
Actuating time ¹⁾	s/mm	6.5 · 5*	6.5 · 5*
Actuating thrust	kN	2.5	2.5
Stroke	mm	max. 60	max. 60
Power supply	VAC	24 ±10%	230 +6% -10%
Power supply ²⁾	VDC	24 ±10%	-
Frequency	Hz	50/60 ±5%	50/60 ±5%
Power consumption	VA	max. 18	max. 30
Input signal		3-point	3-point

Type		MC503DL/24	MC503DL/230
Actuating time ¹⁾	s/mm	6.5 · 5*	6.5 · 5*
Actuating thrust	kN	5.0	5.0
Stroke	mm	max. 60	max. 60
Power supply	VAC	24 ±10%	230 +6% -10%
Power supply ²⁾	VDC	24 ±10%	-
Frequency	Hz	50/60 ±5%	50/60 ±5%
Power consumption	VA	max. 18	max. 30
Input signal		3-point	3-point

¹⁾ Actuating time freely adjustable, presetting is marked with *

²⁾ only rectified alternating voltage

with microcontroller
for two-way and three-way valves
BR216 • BR316
BR225 • BR325
BR240S • BR340S
BR240E • BR340E



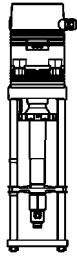
MC253DL
MC503DL

Enclosure protection:	IP 54	
Resolution:	mechanical	0.04 mm
Operating mode:	S3-50% ED c/h 1200	EN 60034-1
End position switch-off:	load-dependent	
Ambient temperature:	-10...+60°C	
Weight:	MC253DL/24 and MC503DL/24	7.4 kg
	MC253DL/230 and MC503DL/230	8.6 kg

Actuator variant and accessories

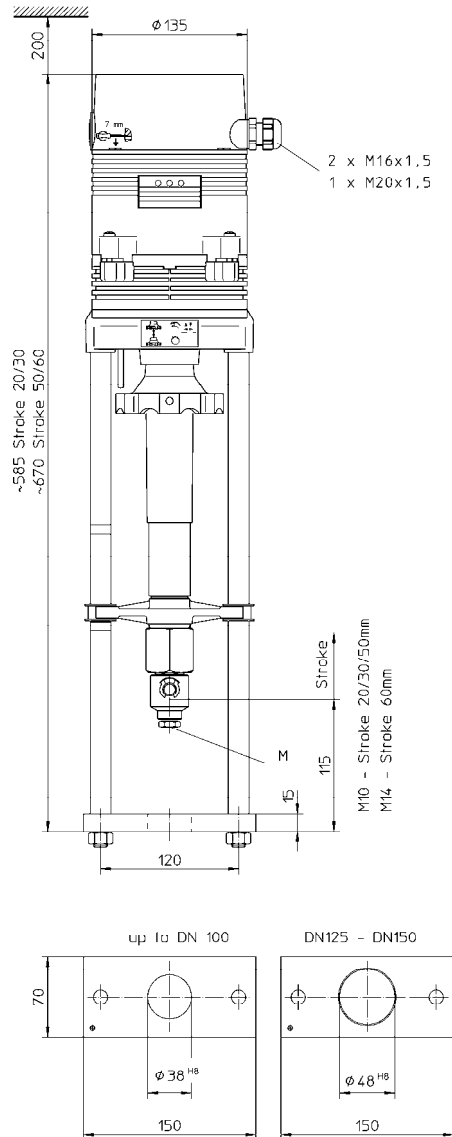
- Voltage: 115 VAC
- Position switch (2 switches) for end position signal, potential free
 - Rated load: 8 A / 250 VAC
8 A / 30 VDC
 - Turn-on voltage: max. 400 VAC
max. 125 VDC
- Enclosure protection: IP 65
- Adapter with coupling for external products

with microcontroller
 for two-way and three-way valves
 BR216 • BR316
 BR225 • BR325
 BR240S • BR340S
 BR240E • BR340E



MC253DL
MC503DL

Drawing



with microcontroller
 for two-way and three-way valves
 BR216 • BR316
 BR225 • BR325
 BR240S • BR340S
 BR240E • BR340E



MC253DL
 MC503DL

Circuit diagram

