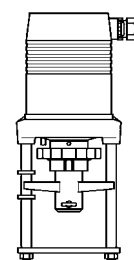


with microcontroller
 for two-way and three-way valves
 BR216RA • BR316RA
 BR216RA-TW • BR316RA-TW
 BR206GF • BR306GF
 BR216GF • BR316GF



MC80DL

Features

- Microprocessor controlled
- LED indication of actuator status
- Wear-free distance measuring system – no potentiometer
- Bonnet detachable in four positions, 90° locking, no screws required
- Pull-out manual adjustment with electrical cut-off
- Shockproof at 230 VAC, no protective conductor (PE) necessary

Technical data

Type		MC80DL/24	MC80DL/230
Actuating time ¹⁾	s/mm	4 · 2*	4 · 2*
Actuating thrust	kN	0.8	0.8
Stroke	mm	max. 20	max. 20
Power supply	VAC	24 ±10%	230 +6% -10%
Power supply ²⁾	VDC	24 ±10%	
Frequency	Hz	50/60 ±5%	50/60 ±5%
Power consumption	VA	6	12
Input signal		3-point	3-point

Enclosure protection: IP54

Resolution: mechanical 0.095 mm

Operating mode: S3-50% ED c/h 1200 EN 60034-1

End position switch off: load-dependent

Ambient temperature: 0...+60°C

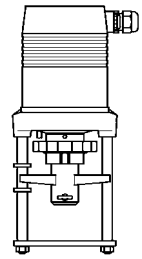
Weight: 2.5 kg

Actuator variant and accessories

- Voltage: 115 VAC
- Position switch (2 switches) for end position signal, potential free
 - Rated load: 8 A / 250 VAC
 - 8 A / 30 VDC
 - Turn-on voltage: max. 400 VAC
 - max. 125 VDC
- Enclosure protection: IP 65
- Adapter with coupling for external products

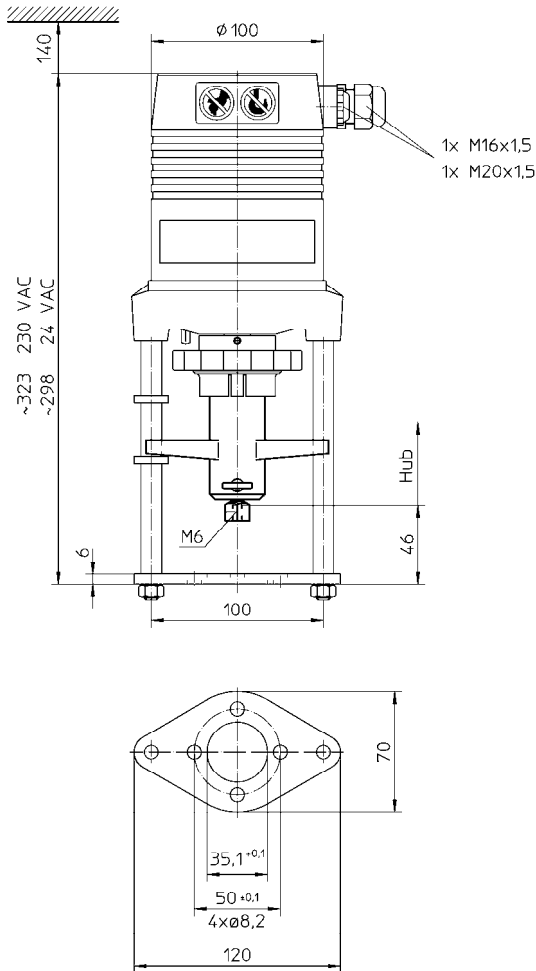
¹⁾ Actuating time freely adjustable, presetting is marked with *
²⁾ only rectified alternating voltage

with microcontroller
 for two-way and three-way valves
 BR216RA • BR316RA
 BR216RA-TW • BR316RA-TW
 BR206GF • BR306GF
 BR216GF • BR316GF



MC80DL

Drawing



Circuit diagram

