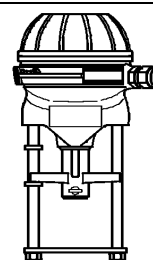


with microcontroller
for two-way and three-way valves
BR216RA • BR316RA
BR206GF • BR306GF
BR216GF • BR316GF



MC55DL

Features

- Microprocessor controlled
- Wear-free distance measuring system - no potentiometer
- Shockproof at 230 VAC, no protective conductor (PE) necessary
- Manual override by hand wheel
- Mechanical position indication
- Operating voltage interrupted in manual operation

Technical data

Type		MC55DL/24	MC55DL/230
Actuating time ¹⁾	s/mm	9 · 5*	9 · 5*
Actuating thrust	kN	0.6	0.6
Stroke	mm	max. 14	max. 14
Power supply	VAC	24 ±10%	230 +6% -10%
Power supply ²⁾	VDC	24 ±10%	
Frequency	Hz	50/60 ±5%	50/60 ±5%
Power consumption	VA	4.5	4.5
Input signal		3-point	3-point

Enclosure protection:	IP 54 in automatic operation IP 30 in manual operation
Resolution:	mechanical 0.06 mm
Mains connection:	Actuator with terminal
Operating mode:	S3-50% ED c/h 1200 EN 60034-1
End position switch-off:	load-dependent
Ambient temperature:	0...+60°C
Weight:	1.5 kg

Actuator variant and accessories

- Adapter with coupling for external products

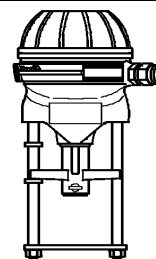
¹⁾ Actuating time freely adjustable, presetting is marked with *

²⁾ only rectified alternating voltage

Electric actuators

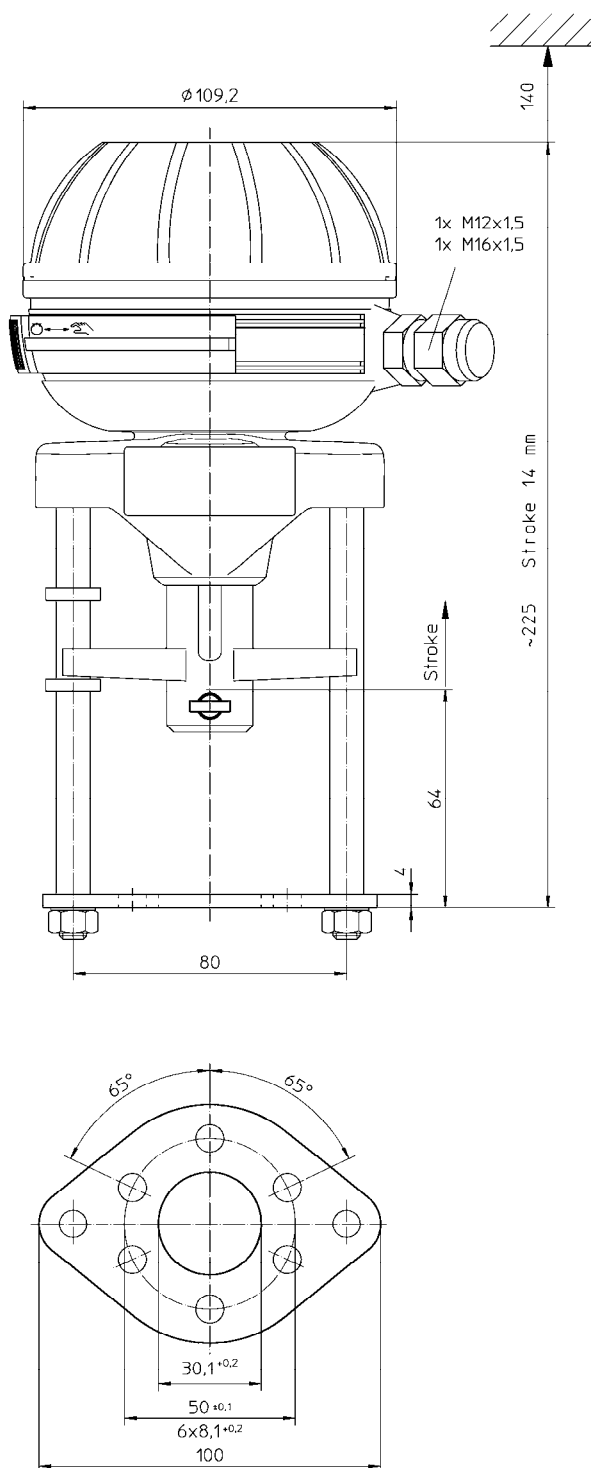
0.6 kN **7.1.9**

with microcontroller
for two-way and three-way valves
BR216RA • BR316RA
BR206GF • BR306GF
BR216GF • BR316GF

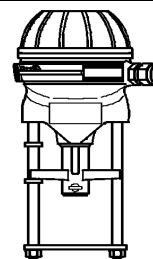


MC55DL

Drawing



with microcontroller
 for two-way and three-way valves
 BR216RA • BR316RA
 BR206GF • BR306GF
 BR216GF • BR316GF



MC55DL

Circuit diagram

