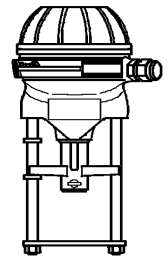


with microcontroller  
for two-way and three-way valves  
BR216RA • BR316RA  
BR206GF • BR306GF  
BR216GF • BR316GF



**MC55  
MC65**

## Features

- Microprocessor controlled
- Automatic self-calibration on start up
- Wear-free distance measuring system - no potentiometer
- Wire break recognition in 2...10 VDC operation
- Safety position for switching a binary signal (frost safety)
- Input signal Y and output signal X simultaneously reversible
- Hysteresis 0.3 V in continuous operation (fixed value)
- Shockproof at 230 VAC, no protective conductor (PE) necessary
- Manual override by hand wheel
- Mechanical position indication
- Operating voltage interrupted in manual operation

## Technical data

Type		MC55/24	MC65/24	MC55/230	MC65/230	MC55Y	MC65Y
Actuating time <sup>1)</sup>	s/mm	9 · 5*		9 · 5*		9 · 5*	
Actuating thrust	kN	0.6		0.6		0.6	
Stroke	mm	max. 14	max. 20	max. 14	max. 20	max. 14	max. 20
Power supply	VAC	24 ±10%		230 +6% -10%		24 ±10%	
Power supply <sup>2)</sup>	VDC	24 ±10%				24 ±10%	
Frequency	Hz	50/60 ±5%		50/60 ±5%		50/60 ±5%	
Power consumption	VA	3.5		7		3.5	
Input signal <sup>3)</sup>		3-point		3-point		0(2)...10 VDC 77 kOhm 0(4)...20 mA 0.51 kOhm	
Output signal <sup>3)</sup>		0...10 VDC max. 8 mA min. 1200 Ohm		0...10 VDC max. 8 mA min. 1200 Ohm		0...10 VDC max. 8 mA min. 1200 Ohm	
Hysteresis	V	0.3		0.3		0.3	

Enclosure protection: IP 54 in automatic operation  
IP 30 in manual operation

Resolution: electric 0.04 VDC  
mechanical 0.06 mm

Mains connection: Actuator with terminal

Operating mode: S3-50% ED c/h 1200 EN 60034-1

End position switch-off: load-dependent

Ambient temperature: 0...+60°C

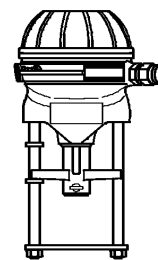
Weight: 1.5 kg

<sup>1)</sup> Actuating time freely adjustable, presetting is marked with \*

<sup>2)</sup> only rectified alternating voltage

<sup>3)</sup> Invertible input and output signal

with microcontroller  
 for two-way and three-way valves  
 BR216RA • BR316RA  
 BR206GF • BR306GF  
 BR216GF • BR316GF

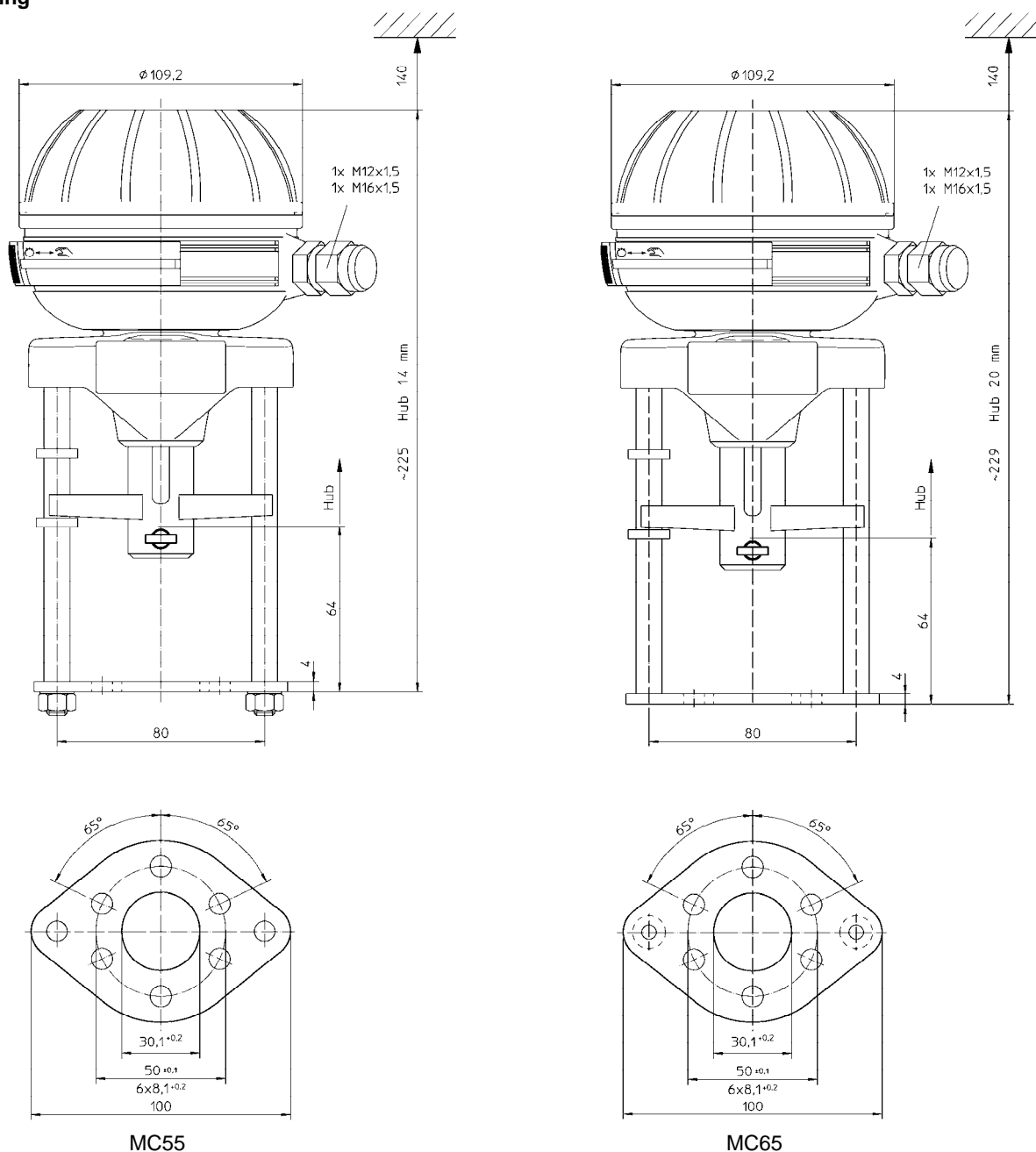


**MC55**  
**MC65**

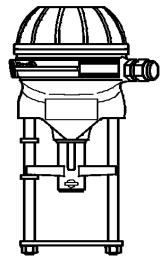
## Actuator variant and accessories

- Voltage: 115 VAC
- Adapter with coupling for external products

## Drawing

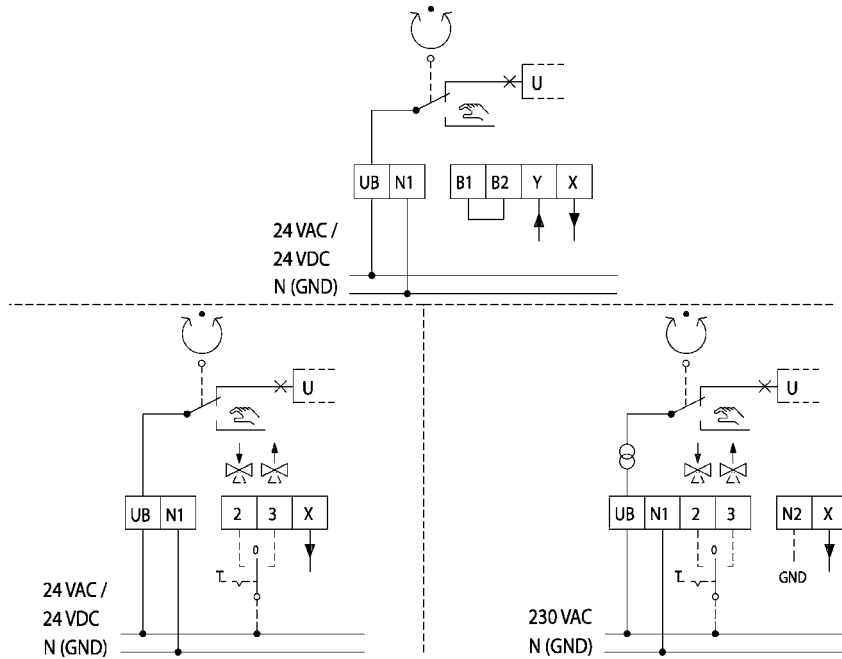


with microcontroller  
 for two-way and three-way valves  
 BR216RA • BR316RA  
 BR206GF • BR306GF  
 BR216GF • BR316GF



MC55  
 MC65

## Circuit diagram



B1/B2 Connection of a binary signal (e.g. frost safety)