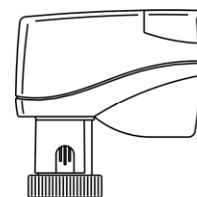


with microcontroller
for two-way and three-way valves
BR216MZ • BR316MZ



MC15

Features

- Microprocessor controlled
- Automatic self-calibration on start up
- Wear-free distance measuring system
- Wire break recognition in 2...10 VDC operation
- Shockproof at 230 VAC, no protective conductor (PE) necessary
- Manual override by hexkeys
- Mechanical position indication
- Operating voltage interrupted in manual operation

Technical data

Type		MC15/24	MC15/230
Actuating time	s/mm	20	20
Actuating thrust	kN	0.15	0.15
Stroke	mm	9	9
Power supply	VAC	24 ±10%	230 +6% -10%
Power supply ¹⁾	VDC	24 ±10%	
Frequency	Hz	50/60 ±5%	50/60 ±5%
Power consumption	VA	2.5	2.5
Input signal		3-point 0(2)...10 VDC	3-point

Enclosure protection: IP 40

Mains connection: 1.5 m flexible cable, 0.5mm², with wire end ferrule

Operating mode: S3 - 100 % ED

End position switch-off: load-dependent

Ambient temperature: 0...+60°C

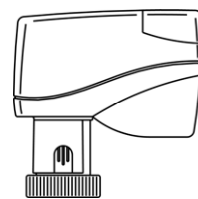
Weight: 0.18 kg

¹⁾ only rectified alternating voltage

Electric actuators

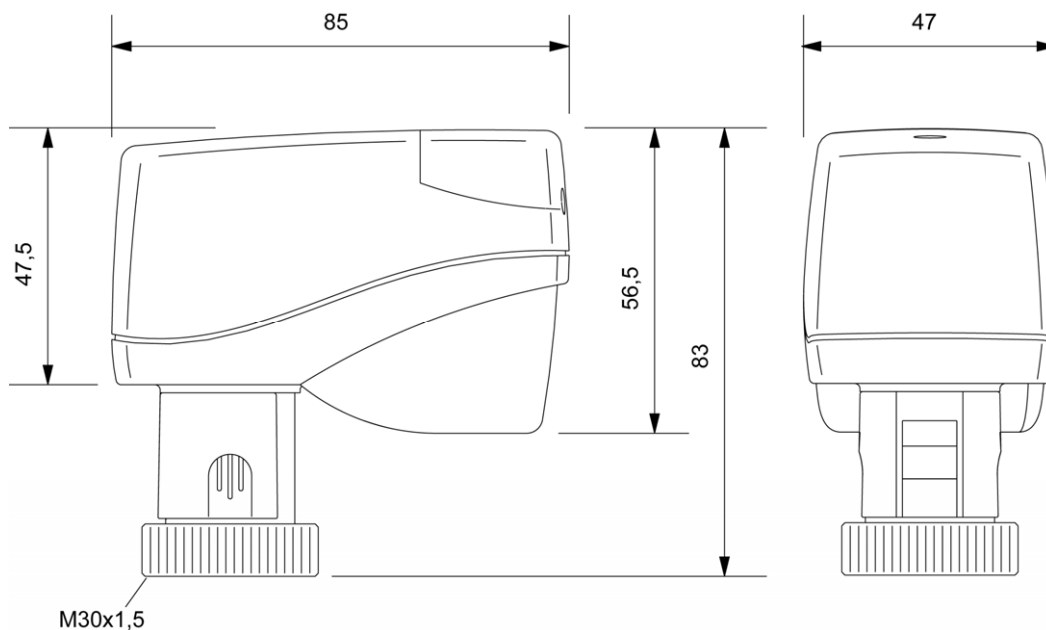
0.15 kN **7.1.1**

with microcontroller
for two-way and three-way valves
BR216MZ • BR316MZ



MC15

Drawing



Wiring

